

D.B.G. = Distance between guide rails.
 O/O = Out to out
 W/ = with

DRAWINGS ARE FOR REFERENCE USE ONLY AND ARE NOT INTENDED FOR PURPOSES OF CONSTRUCTION.

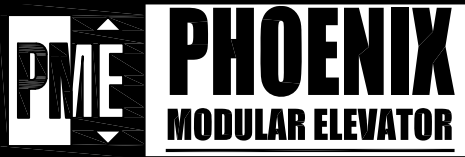
HOLELESS JACK SYSTEM SHOWN, HOLED JACK SYSTEM AVAILABLE

**STRETCHER COMPLIANT
 ADA COMPLIANT**

MODEL: AC3000/AC4000 SLF
 RIGHT HAND EXIT SHOWN - LEFT HAND EXIT OPPOSITE
 TWO HOUR SHAFT RATING

MEETS IBC 2006/2009 SECTION 3002.4
 Designed for 24"x84" ambulance stretcher / gurney

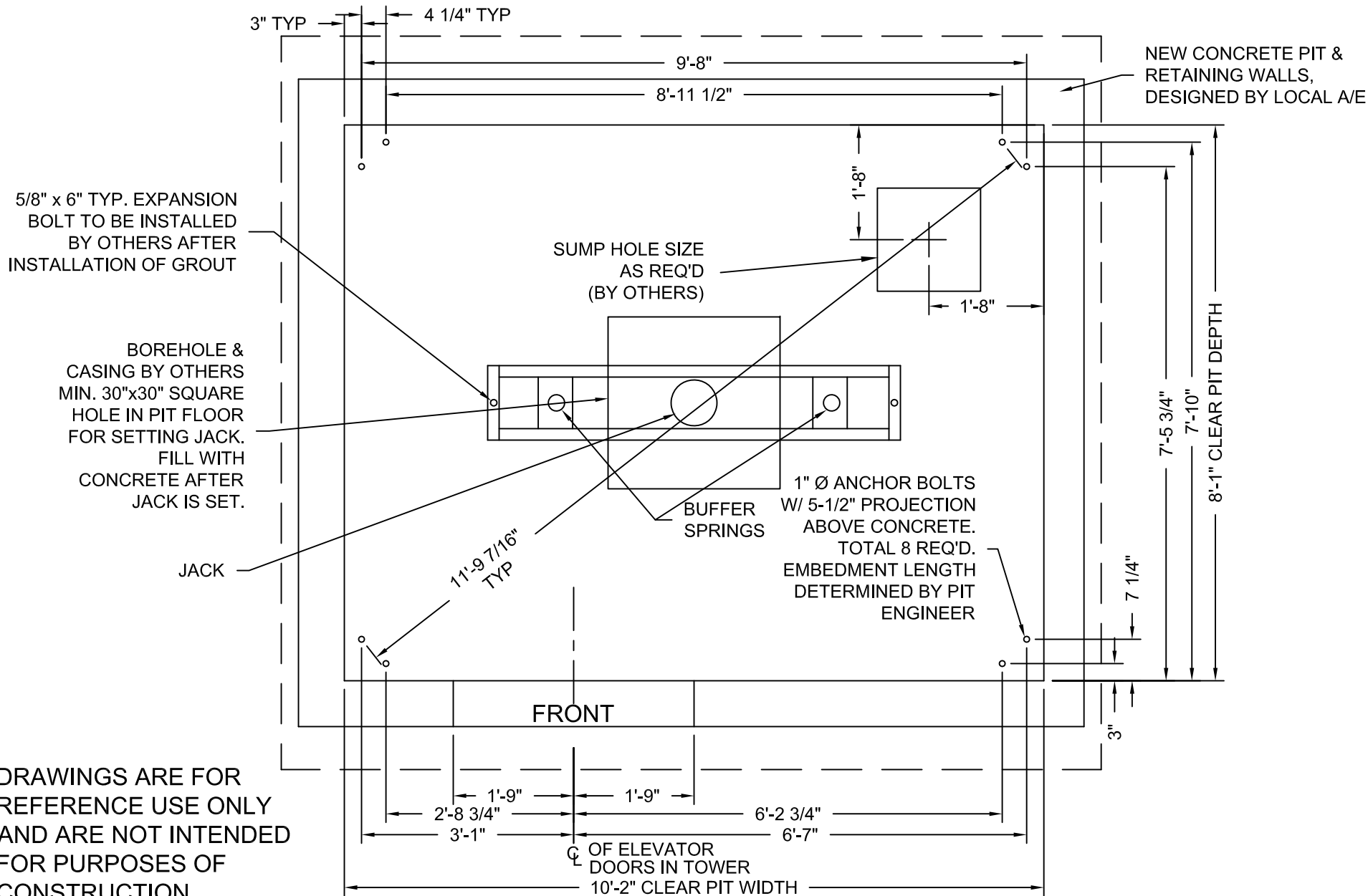
Issue Date:



PHOENIX MODULAR ELEVATOR INC.
 4800 PHOENIX DRIVE, MT. VERNON, ILLINOIS 62864
 PHONE: (618)-244-2314 FAX: (618)-244-1923
 E-mail: info@phoenixmodularelevator.com
 Web page: www.phoenixmodularelevator.com

HOISTWAY & CAR PLAN - 2HR FIRE RATED HOISTWAY

SIZE A	REV	REV. DATE	FILE NO.
SCALE: 1/2"=1'-0"		DATE:	DWG NO. SLF-2HR



DRAWINGS ARE FOR REFERENCE USE ONLY AND ARE NOT INTENDED FOR PURPOSES OF CONSTRUCTION.

MODEL: AC3000/AC4000 SLF / SLFR
 RIGHT HAND EXIT SHOWN - LEFT HAND EXIT OPPOSITE

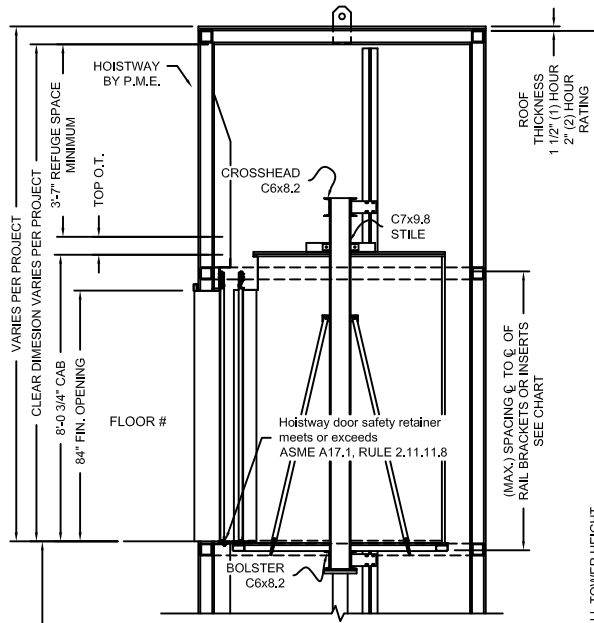
Issue Date:



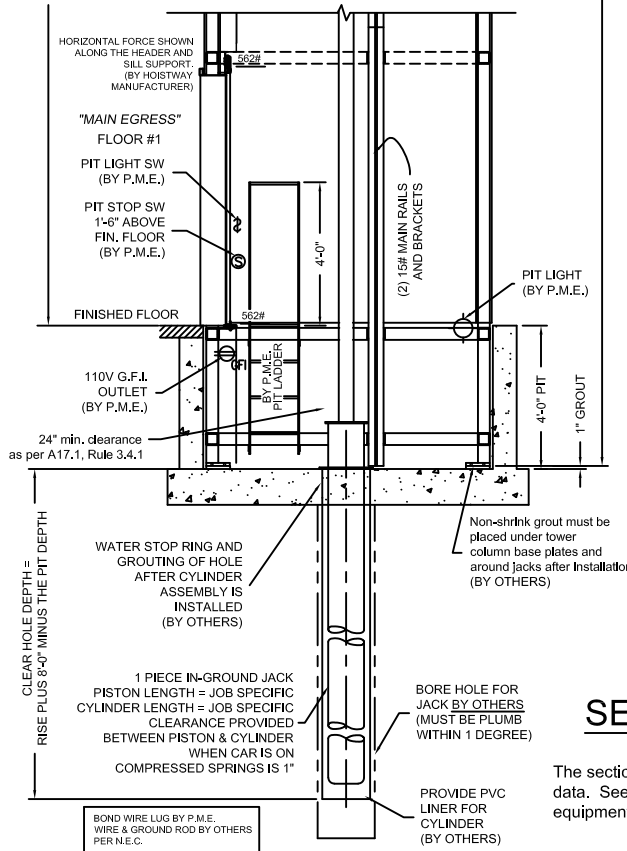
PHOENIX MODULAR ELEVATOR INC.
 4800 PHOENIX DRIVE, MT. VERNON, ILLINOIS 62864
 PHONE: (618)-244-2314 FAX: (618)-244-1923
 E-mail: info@phoenixmodularelevator.com
 Web page: www.phoenixmodularelevator.com

MODEL SLF / SLFR PIT PLAN - HOLED JACK

SIZE A	REV	REV. DATE	FILE NO.
SCALE: 1/2"=1'-0"		DATE:	DWG NO. SLX-P1



FLOOR TO FLOOR DISTANCE	FLOOR MARKING	FLOOR NUMBER
VARIES	4	4
VARIES	3	3
VARIES	2	2
VARIES	1	1
VARIES	NET FLOOR TRAVEL	
VARIES	TOP OVERTRAVEL	
9-1/2" TYP	BOTTOM OVERTRAVEL	
VARIES	TOTAL TRAVEL	



SECTION VIEW

NOT TO SCALE

The section view is for informational / dimensional data. See the hoistway plan view for actual equipment locations.

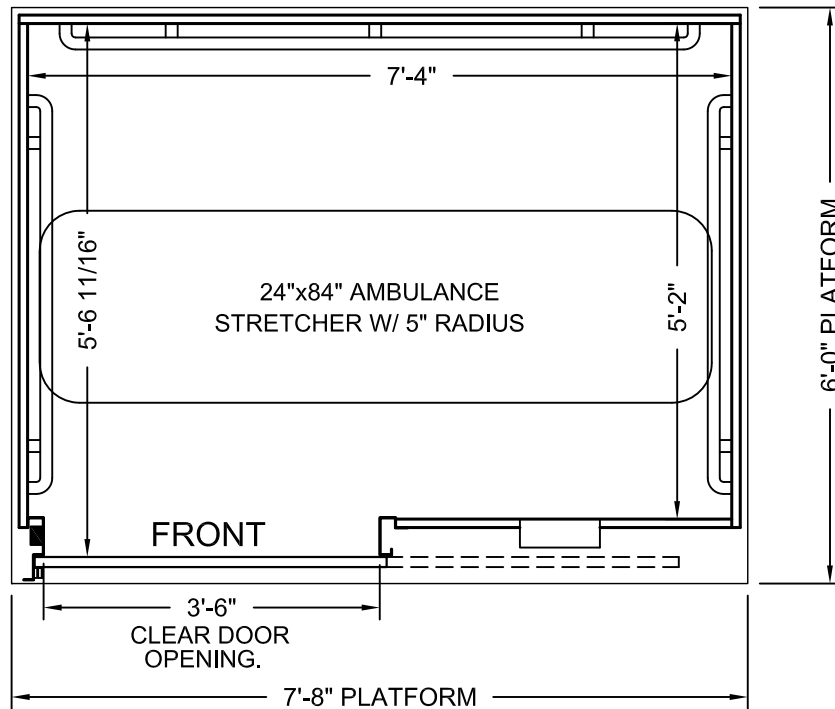
Issue Date:



PHOENIX MODULAR ELEVATOR INC.
 4800 PHOENIX DRIVE, MT. VERNON, ILLINOIS 62864
 PHONE: (618)-244-2314 FAX: (618)-244-1923
 E-mail: info@phoenixmodularelevator.com
 Web page: www.phoenixmodularelevator.com

SECTION VIEW FOR HOLED JACK SYSTEM

SIZE A	REV	REV. DATE	FILE NO.
SCALE: N.T.S.	DATE:	DWG NO.	SV-BH



PLAN VIEW

Elevator car designed to accommodate ambulance
 stretcher as per IBC Section 3002.4
 Capacity = 3500 lbs.

Car enclosure - laminate on wood
*All material for car enclosures meet the requirements of
 ASME A17.1 RULE 2.14.2.1*

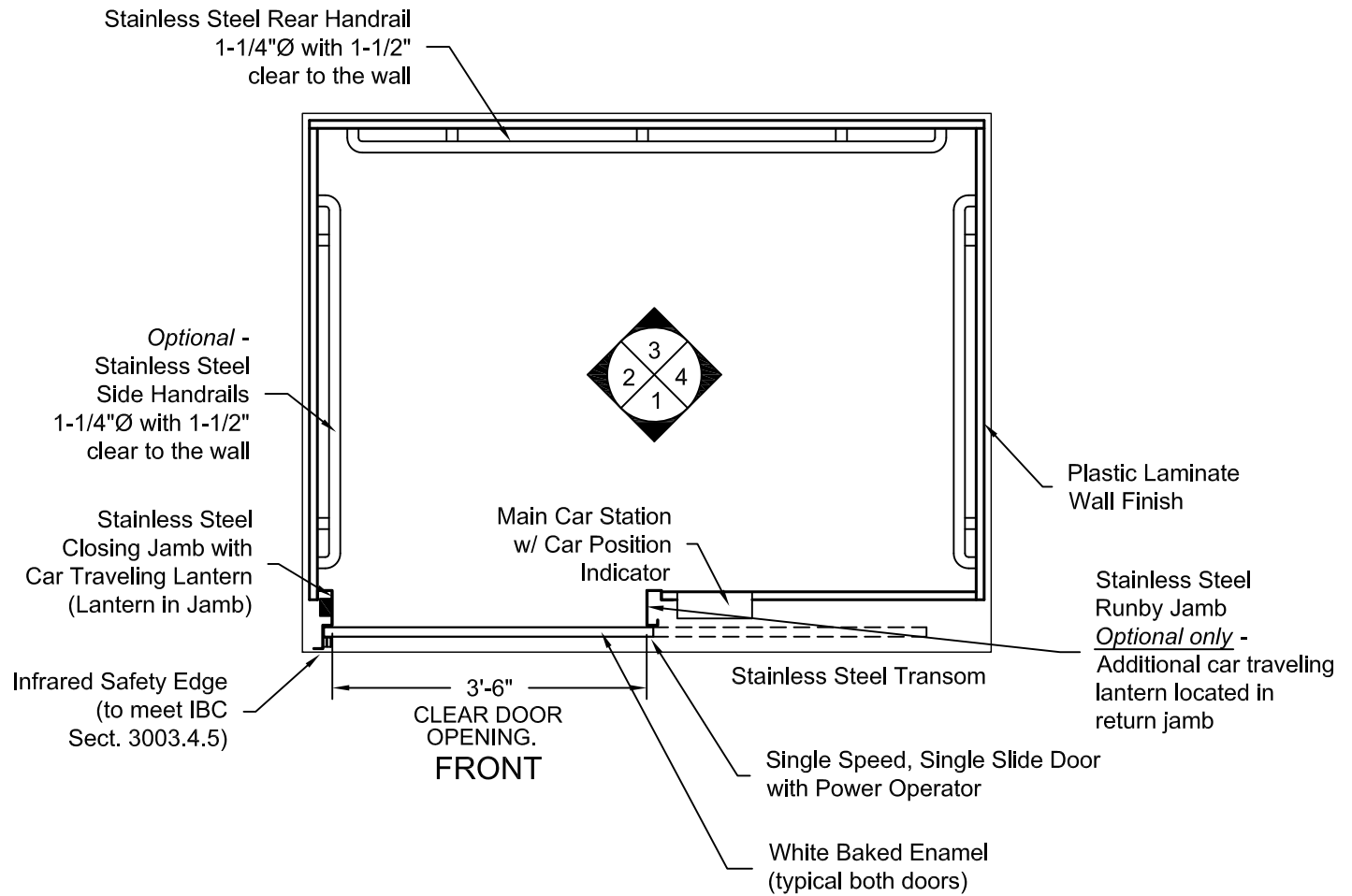
Issue Date:



PHOENIX MODULAR ELEVATOR INC.
 4800 PHOENIX DRIVE, MT. VERNON, ILLINOIS 62864
 PHONE: (618)-244-2314 FAX: (618)-244-1923
 E-mail: info@phoenixmodularelevator.com
 Web page: www.phoenixmodularelevator.com

FRONT EXIT ELEVATOR CAB

SIZE A	REV	REV. DATE	FILE NO.
SCALE: N.T.S.	DATE:	DWG NO. CAB-SLF-1	



PLAN VIEW
RIGHT FRONT DOOR
(MIRROR IMAGE IS AVAILABLE)

Issue Date:

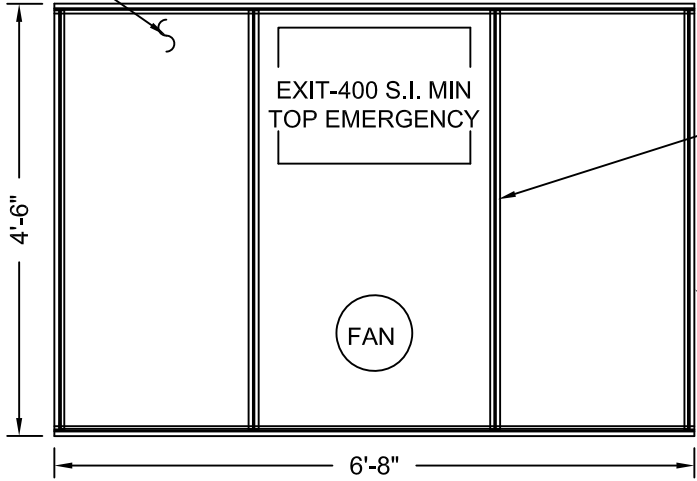


PHOENIX MODULAR ELEVATOR INC.
4800 PHOENIX DRIVE, MT. VERNON, ILLINOIS 62864
PHONE: (618)-244-2314 FAX: (618)-244-1923
E-mail: info@phoenixmodularelevator.com
Web page: www.phoenixmodularelevator.com

FRONT EXIT ELEVATOR CAB - PLAN VIEW

SIZE A	REV	REV. DATE	FILE NO.
SCALE: N.T.S.	DATE:	DWG NO. CAB-SLF-2	

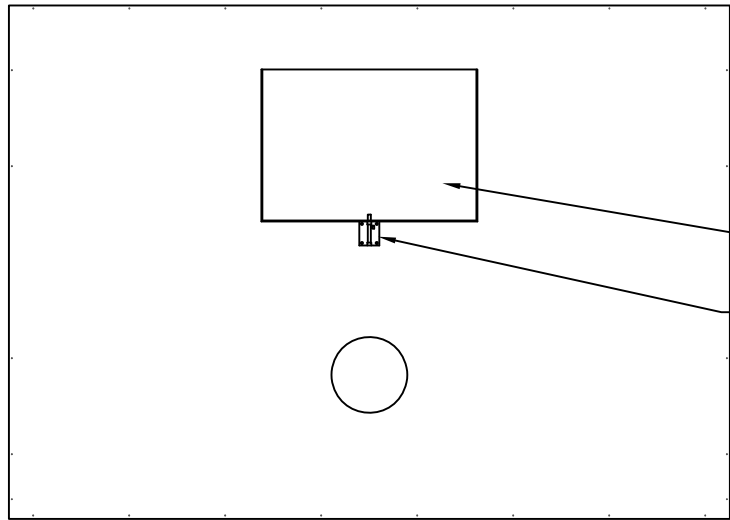
Removable
Polycarbonate
Ceiling Panels



Aluminum T-Bar

Aluminum Frame

REFLECTIVE CEILING PLAN



Steel,
Emergency
Hatch Door
Barrel Slide Bolt

**ROOF PLAN VIEW
EMERGENCY EXIT DOOR**

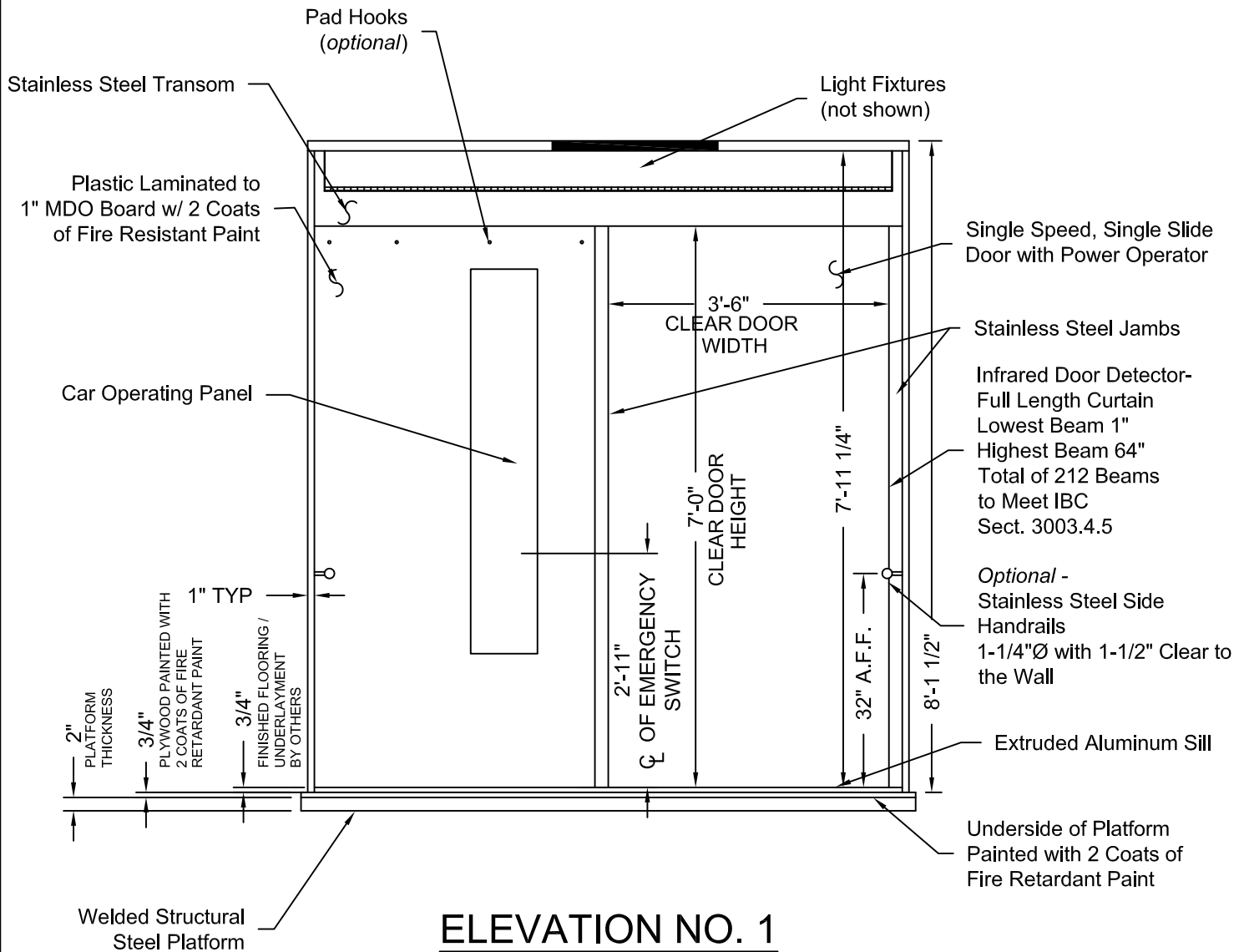
Issue Date:



PHOENIX MODULAR ELEVATOR INC.
4800 PHOENIX DRIVE, MT. VERNON, ILLINOIS 62864
PHONE: (618)-244-2314 FAX: (618)-244-1923
E-mail: info@phoenixmodularelevator.com
Web page: www.phoenixmodularelevator.com

CEILING PLAN - front exit elevator car

SIZE A	REV	REV. DATE	FILE NO.
SCALE: N.T.S.	DATE:	DWG NO. CAB-SLF-3	



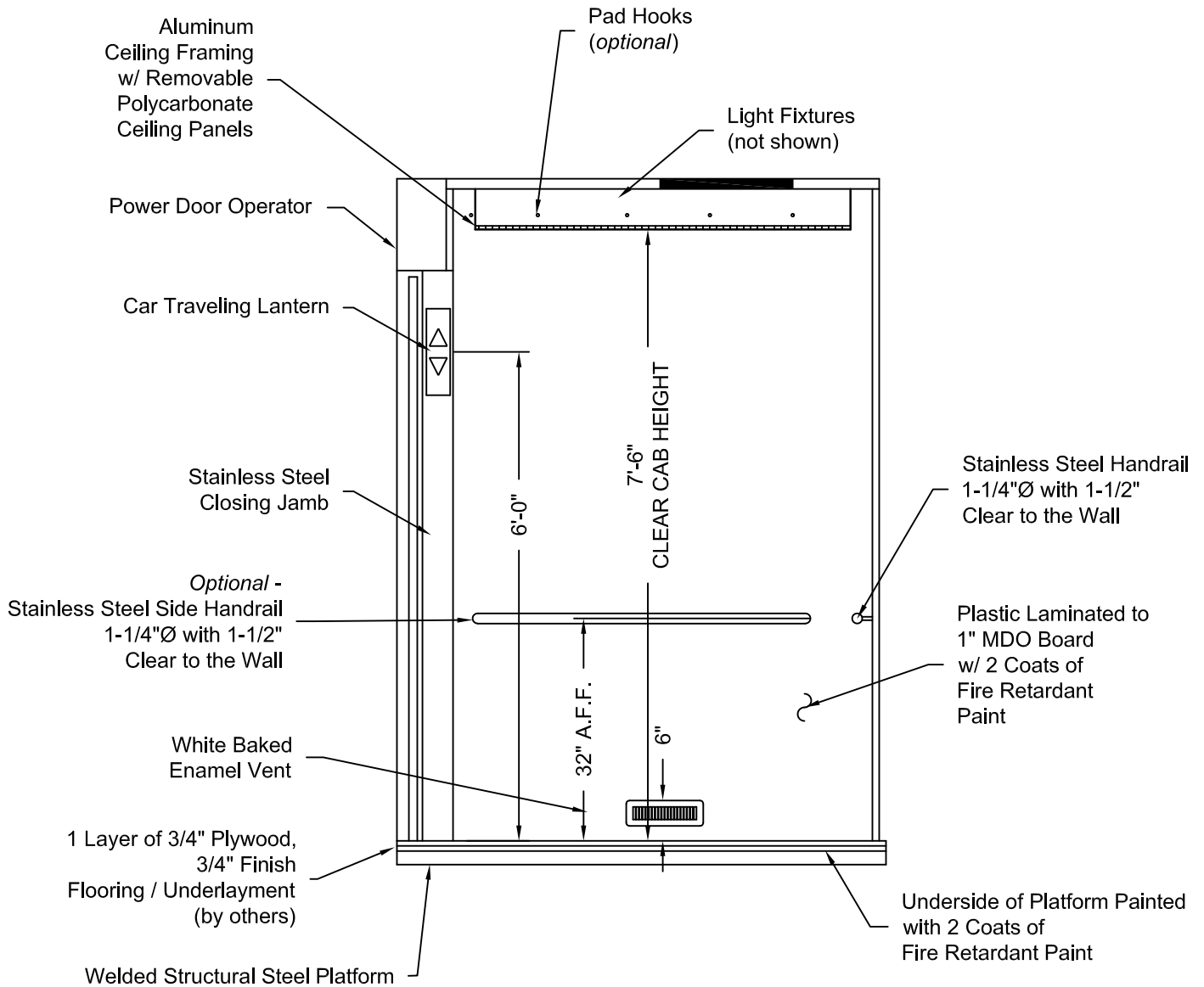
Issue Date:



PHOENIX MODULAR ELEVATOR INC.
 4800 PHOENIX DRIVE, MT. VERNON, ILLINOIS 62864
 PHONE: (618)-244-2314 FAX: (618)-244-1923
 E-mail: Info@phoenixmodularelevator.com
 Web page: www.phoenixmodularelevator.com

ELEVATION NO. 1 - front exit elevator car

SIZE A	REV	REV. DATE	FILE NO.
SCALE: N.T.S.	DATE:		DWG NO. CAB-SLF-4



ELEVATION NO. 2

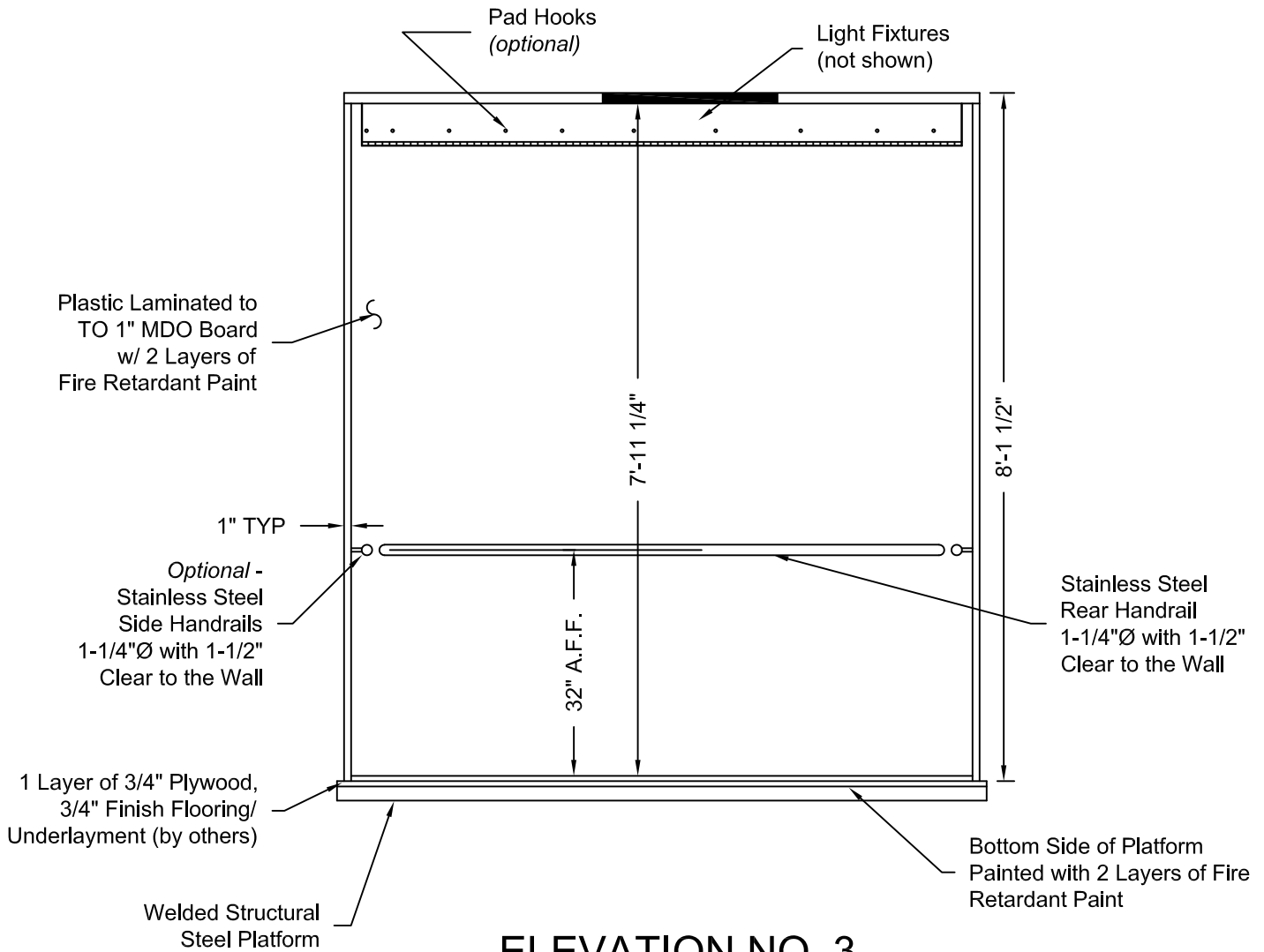
Issue Date:



PHOENIX MODULAR ELEVATOR INC.
 4800 PHOENIX DRIVE, MT. VERNON, ILLINOIS 62864
 PHONE: (618)-244-2314 FAX: (618)-244-1923
 E-mail: info@phoenixmodularelevator.com
 Web page: www.phoenixmodularelevator.com

ELEVATION NO. 2 - front exit elevator car

SIZE A	REV	REV. DATE	FILE NO.
SCALE: N.T.S.		DATE:	DWG NO. CAB-SLF-5



ELEVATION NO. 3

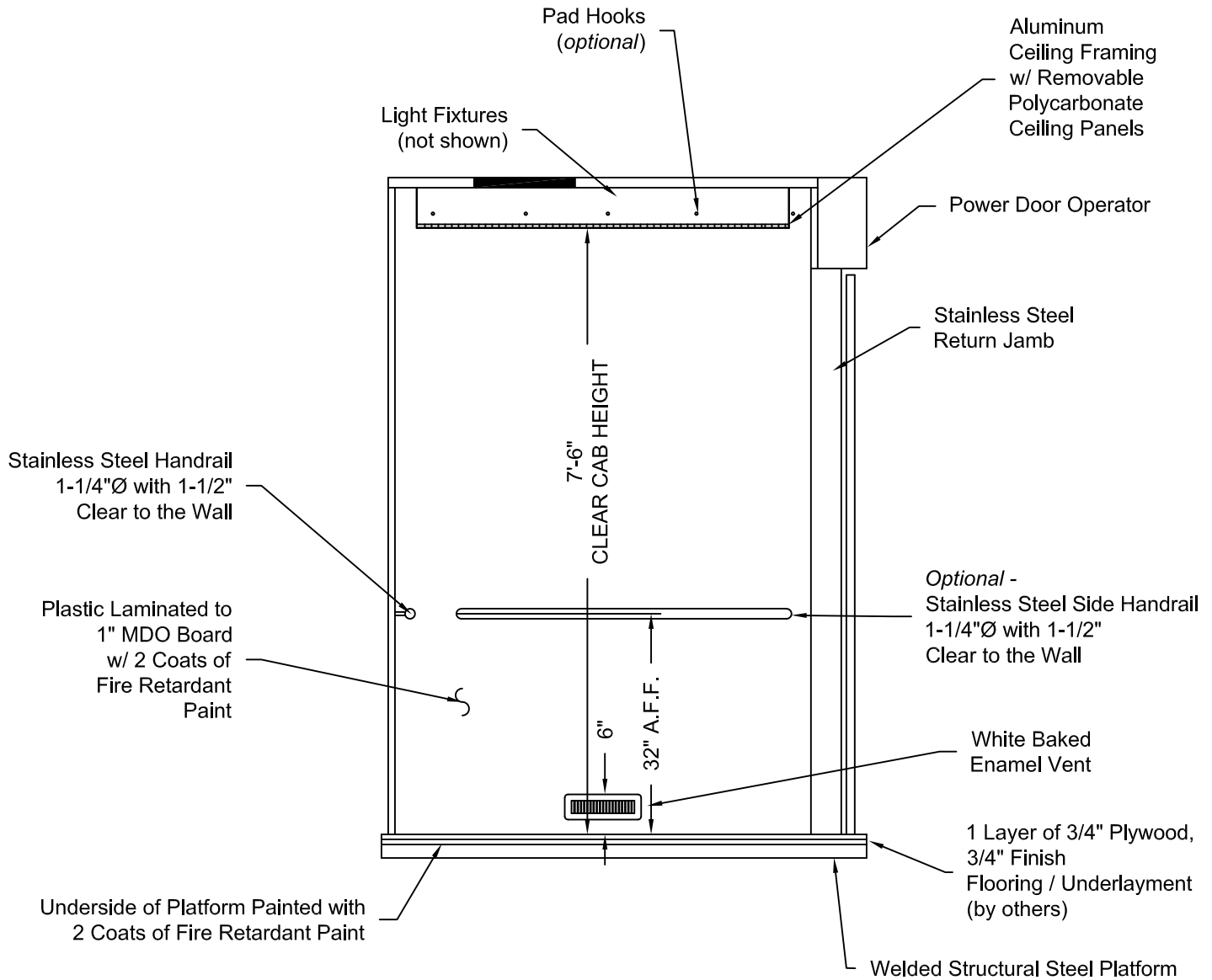
Issue Date:



PHOENIX MODULAR ELEVATOR INC.
 4800 PHOENIX DRIVE, MT. VERNON, ILLINOIS 62864
 PHONE: (618)-244-2314 FAX: (618)-244-1923
 E-mail: info@phoenixmodularelevator.com
 Web page: www.phoenixmodularelevator.com

ELEVATION NO. 3 - front exit elevator car

SIZE A	REV	REV. DATE	FILE NO.
SCALE: N.T.S.		DATE:	DWG NO. CAB-SLF-6



ELEVATION NO. 4

Issue Date:



PHOENIX MODULAR ELEVATOR INC.
 4800 PHOENIX DRIVE, MT. VERNON, ILLINOIS 62864
 PHONE: (618)-244-2314 FAX: (618)-244-1923
 E-mail: info@phoenixmodularelevator.com
 Web page: www.phoenixmodularelevator.com

ELEVATION NO. 4 - front exit elevator car

SIZE A	REV	REV. DATE	FILE NO.
SCALE: N.T.S.	DATE:	DWG NO. CAB-SLF-7	