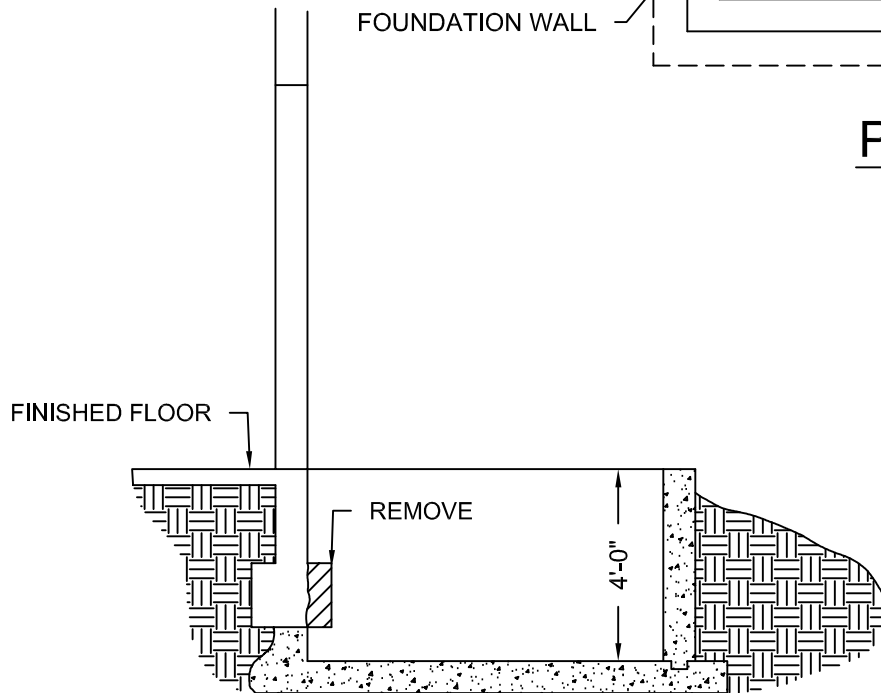
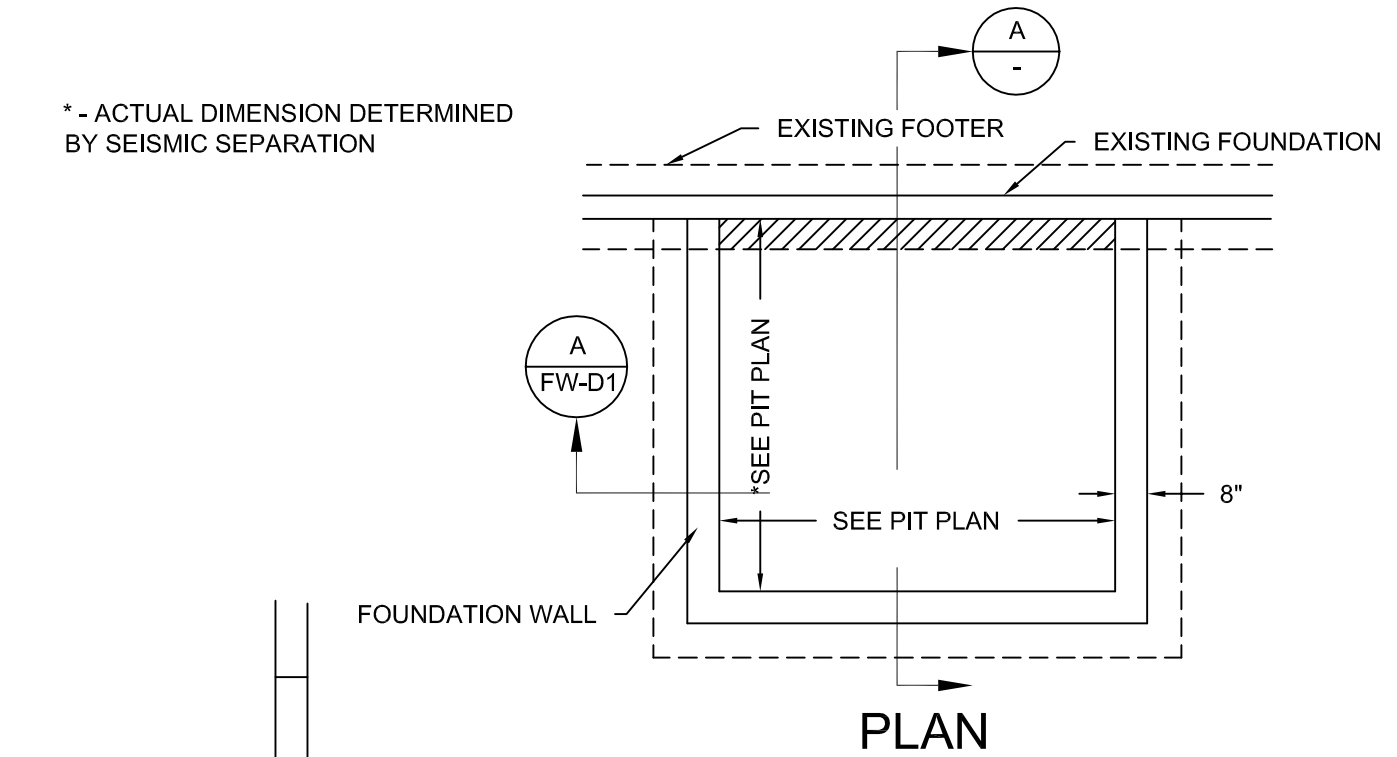


# FOUNDATION DETAILS

## ELEVATOR AT GRADE

\* - ACTUAL DIMENSION DETERMINED BY SEISMIC SEPARATION



SECTION A

DRAWINGS ARE FOR REFERENCE USE ONLY AND ARE NOT INTENDED FOR PURPOSES OF CONSTRUCTION.

Issue Date: 6/29/10



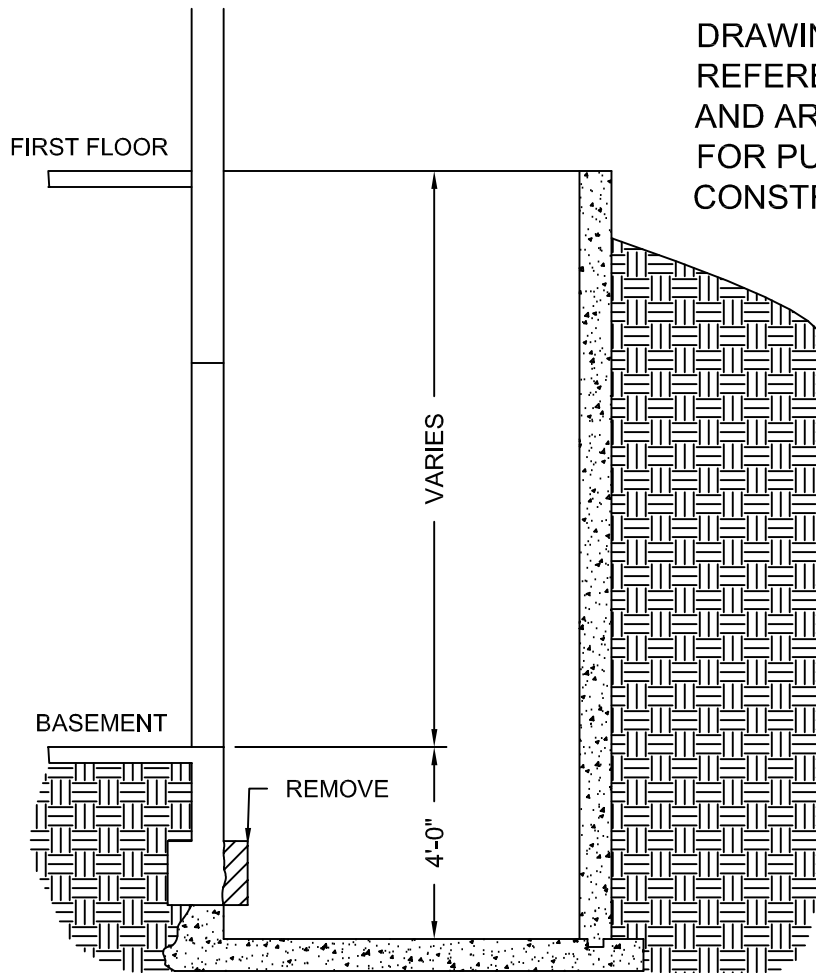
**PHOENIX MODULAR ELEVATOR INC.**  
 912 SOUTH 19TH ST. MT. VERNON, ILLINOIS 62864  
 PHONE: (618)-244-2314 FAX: (618)-244-1923  
 E-mail: info@phoenixmodularelevator.com  
 Web page: www.phoenixmodularelevator.com

### FOUNDATION DETAILS - ELEVATOR AT GRADE

|                 |                       |           |                 |
|-----------------|-----------------------|-----------|-----------------|
| SIZE<br>A       | REV                   | REV. DATE | FILE NO.        |
| SCALE:<br>N.T.S | DATE:<br>8/14/00 M.H. |           | DWG NO.<br>FP-1 |

# FOUNDATION DETAILS

## ELEVATOR ACCESSES BASEMENT



DRAWINGS ARE FOR  
REFERENCE USE ONLY  
AND ARE NOT INTENDED  
FOR PURPOSES OF  
CONSTRUCTION.

### SECTION A @ BASEMENT

INCREASING PIT CLEARANCE  
MAY BE REQUIRED FOR  
HOISTWAY EXTERIOR FINISH.

Issue Date: 6/29/10



**PHOENIX MODULAR ELEVATOR INC.**  
912 SOUTH 19TH ST. MT. VERNON, ILLINOIS 62864  
PHONE: (618)-244-2314 FAX: (618)-244-1923  
E-mail: [info@phoenixmodularelevator.com](mailto:info@phoenixmodularelevator.com)  
Web page: [www.phoenixmodularelevator.com](http://www.phoenixmodularelevator.com)

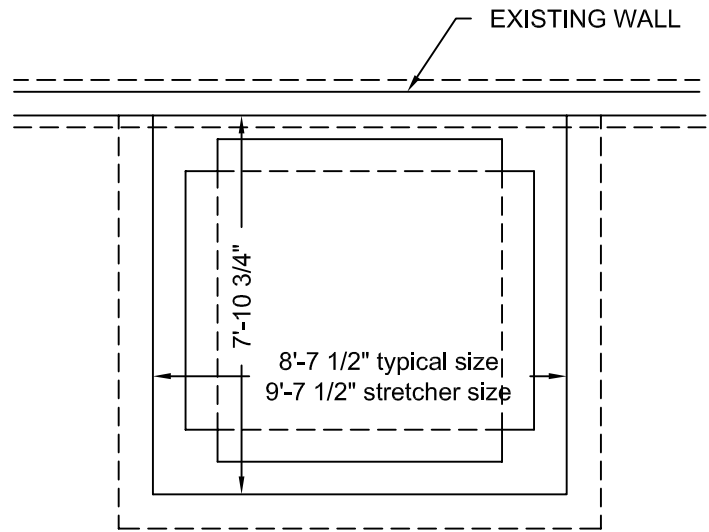
#### FOUNDATION DETAILS - BASEMENT

|                  |                   |           |                 |
|------------------|-------------------|-----------|-----------------|
| SIZE<br>A        | REV               | REV. DATE | FILE NO.        |
| SCALE:<br>N.T.S. | DATE:<br>08/14/00 | M.H.      | DWG NO.<br>FP-2 |

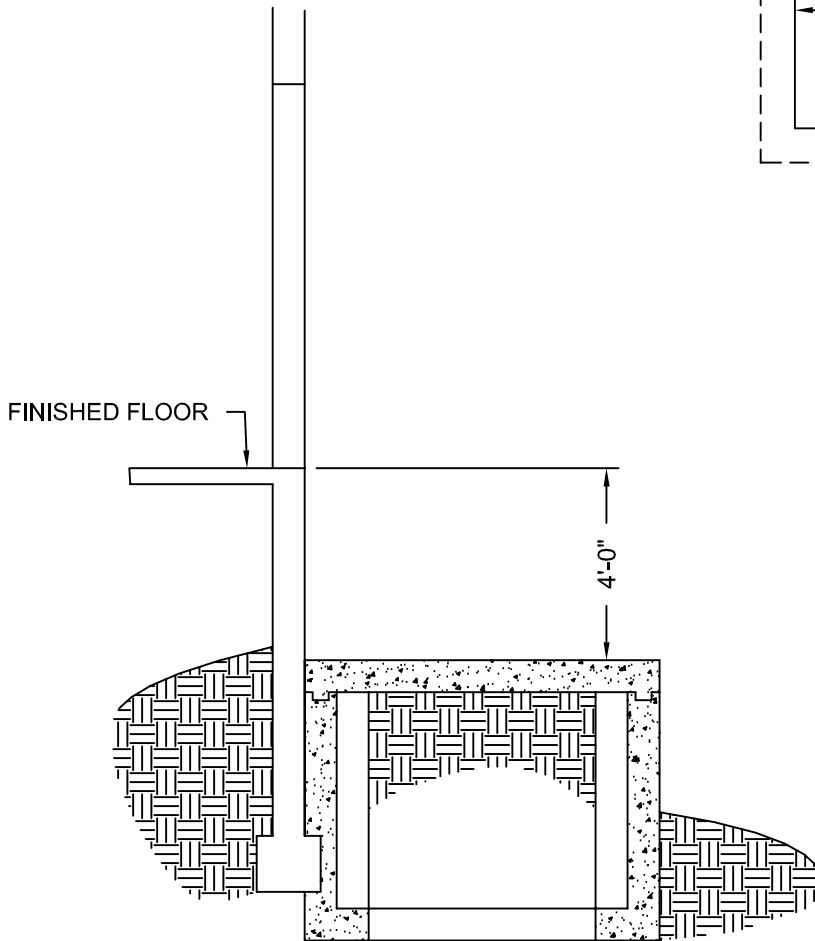
# FOUNDATION DETAILS

## ELEVATOR ABOVE GRADE

Stretcher compliance is for IBC 2003 or later. For IBC 2006 and current please contact Phoenix Modular Elevator for details.



PLAN



SECTION

DRAWINGS ARE FOR DIMENSIONAL USE ONLY AND ARE NOT INTENDED FOR PURPOSES OF CONSTRUCTION.

Issue Date: 6/29/10

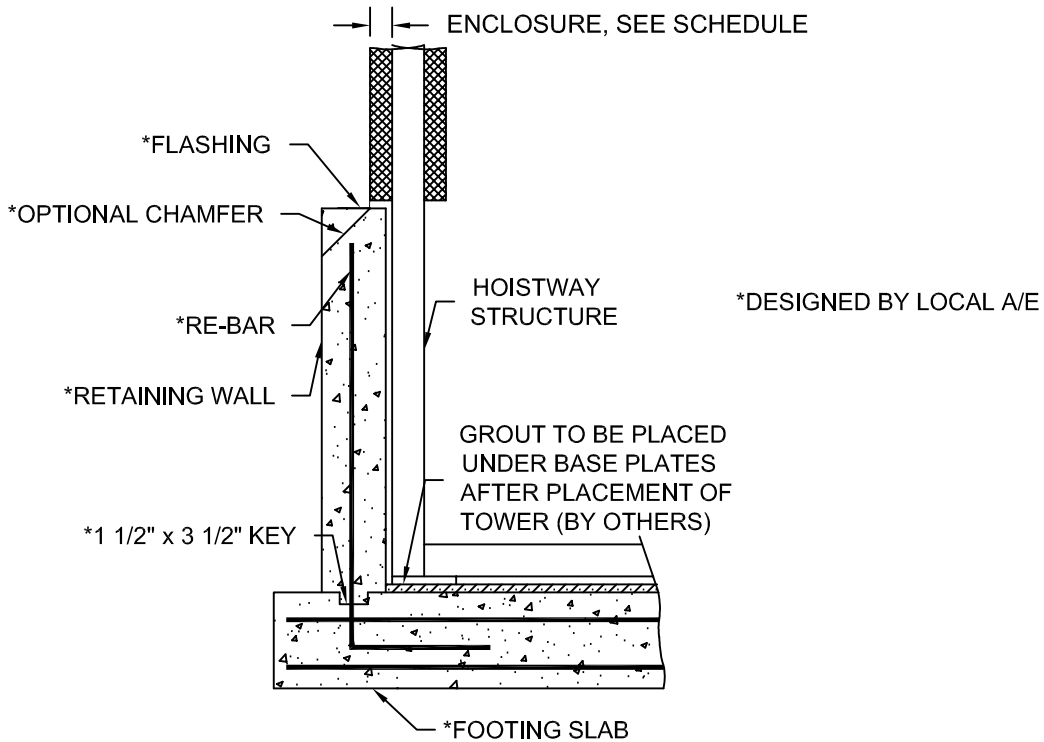


**PHOENIX MODULAR ELEVATOR INC.**  
 912 SOUTH 19TH ST. MT. VERNON, ILLINOIS 62864  
 PHONE: (618)-244-2314 FAX: (618)-244-1923  
 E-mail: [info@phoenixmodularelevator.com](mailto:info@phoenixmodularelevator.com)  
 Web page: [www.phoenixmodularelevator.com](http://www.phoenixmodularelevator.com)

### FOUNDATION DETAILS - ABOVE GRADE

|                  |                   |           |                 |
|------------------|-------------------|-----------|-----------------|
| SIZE<br>A        | REV               | REV. DATE | FILE NO.        |
| SCALE:<br>N.T.S. | DATE:<br>08/14/00 | M.H.      | DWG NO.<br>FP-3 |

# FOOTING/FOUNDATION DETAIL



SECTION A-A

## ENCLOSURE OPTIONS

| RATING   | THICKNESS | DESCRIPTION                                   |
|----------|-----------|---|
| UN-RATED | 5/8"      | PLYWOOD ONLY                                  |
| 1 HR     | 1-1/4"    | 1 LAYER OF 5/8" GYP., 1 LAYER OF 5/8" PLYWOOD |
| 2 HR     | 1-7/8"    | 2 LAYERS OF 5/8" GYP., 1 LAYER 5/8" PLYWOOD   |

GYP. = GYPSUM  
 NOTE: 5/8" GYPSUM BOARD IS CLASS X, FIRE RATED

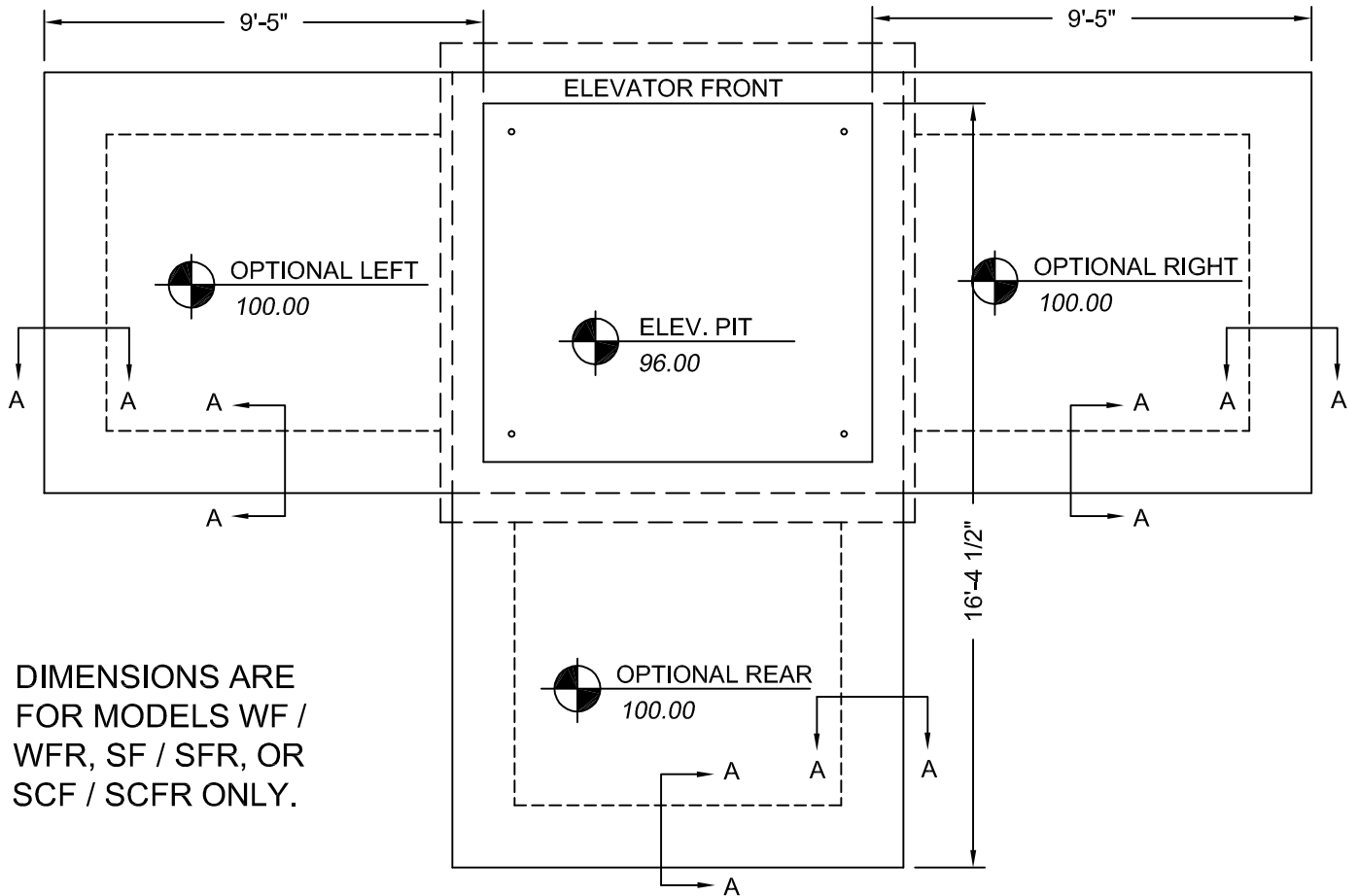
Issue Date: 6/29/10



**PHOENIX MODULAR ELEVATOR INC.**  
 912 SOUTH 19TH ST. MT. VERNON, ILLINOIS 62864  
 PHONE: (618)-244-2314 FAX: (618)-244-1923  
 E-mail: info@phoenixmodularelevator.com  
 Web page: www.phoenixmodularelevator.com

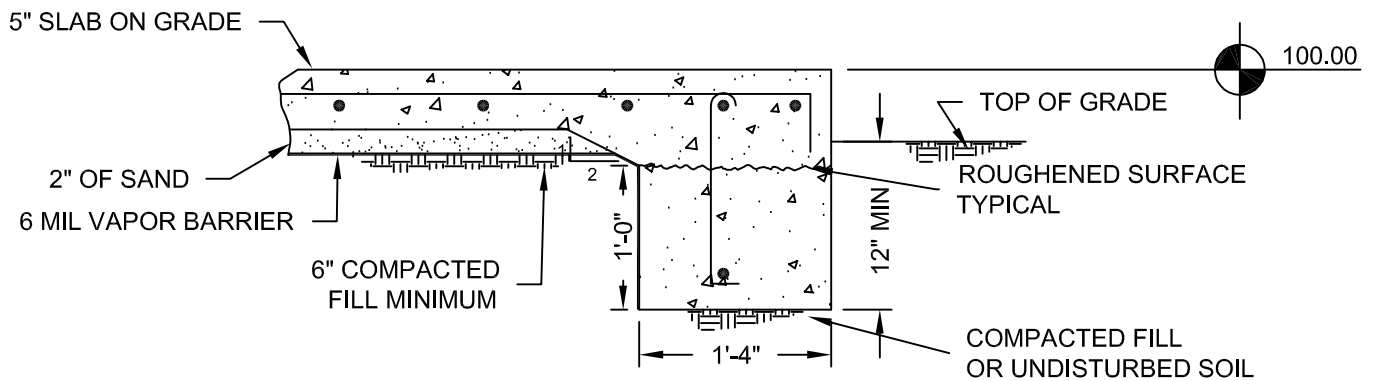
### FOOTING DETAIL / ENCLOSURE OPTIONS

|           |        |           |               |
|-----------|--------|-----------|---------------|
| SIZE<br>A | REV    | REV. DATE | FILE NO.      |
| SCALE:    | N.T.S. | DATE:     | 08/14/00 M.H. |
| DWG NO.   |        |           | FP-4          |



DIMENSIONS ARE FOR MODELS WF / WFR, SF / SFR, OR SCF / SCFR ONLY.

PLAN VIEW



SECTION A-A

Issue Date: 6/29/10



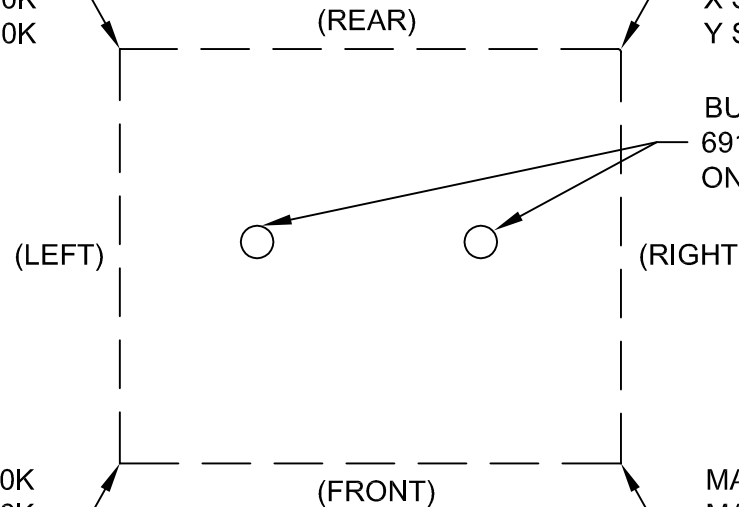
**PHOENIX MODULAR ELEVATOR INC.**  
 912 SOUTH 19TH ST. MT. VERNON, ILLINOIS 62864  
 PHONE: (618)-244-2314 FAX: (618)-244-1923  
 E-mail: info@phoenixmodularelevator.com  
 Web page: www.phoenixmodularelevator.com

**MODULAR MACHINE ROOM SLAB**

|                  |                       |           |                 |
|------------------|-----------------------|-----------|-----------------|
| SIZE<br>A        | REV                   | REV. DATE | FILE NO.        |
| SCALE:<br>N.T.S. | DATE:<br>3/15/05 T.H. |           | DWG NO.<br>FP-5 |

MAX. DOWN = 30.0K  
 MAX. UPLIFT = 20.6K  
 X SHEAR = ±2.10K  
 Y SHEAR = ±2.70K

MAX. DOWN = 30.0K  
 MAX. UPLIFT = 20.6K  
 X SHEAR = ±2.10K  
 Y SHEAR = ±2.70K



BUFFER SPRINGS  
 6911 lbf MAX. FORCE  
 ON EACH BUFFER

MAX. DOWN = 30.0K  
 MAX. UPLIFT = 20.6K  
 X SHEAR = ±2.10K  
 Y SHEAR = ±2.70K

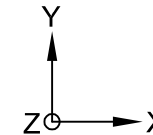
MAX. DOWN = 30.0K  
 MAX. UPLIFT = 20.6K  
 X SHEAR = ±2.10K  
 Y SHEAR = ±2.70K

**WIND NOTE**

DESIGN WIND SPEED = 80 MPH  
 EXPOSURE C

**EARTHQUAKE LOAD**

Ca = 0.44Na SOIL PROFILE Sd  
 Cv = 0.64Nv SOIL PROFILE Sd  
 Z = 0.4 (ZONE 4)  
 I = 1.0  
 Na = 1.5  
 Nv = 2.0  
 R = 2.9



Issue Date: 6/29/10

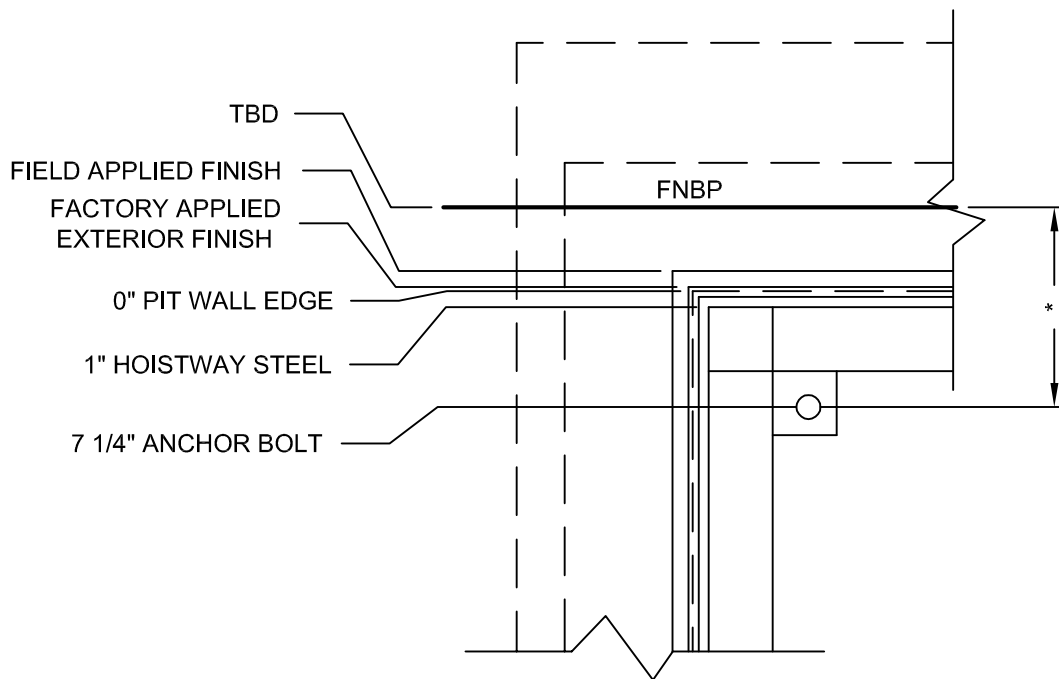


**PHOENIX MODULAR ELEVATOR INC.**  
 912 SOUTH 19TH ST. MT. VERNON, ILLINOIS 62864  
 PHONE: (618)-244-2314 FAX: (618)-244-1923  
 E-mail: info@phoenixmodularelevator.com  
 Web page: www.phoenixmodularelevator.com

**AC3000 PIT REACTIONS**

| SIZE          | REV | REV. DATE           | FILE NO. |
|---------------|-----|---------------------|----------|
| A             |     |                     |          |
| SCALE: N.T.S. |     | DATE: 11/17/00 T.H. | FP-6     |

FNBP = FURTHEST NON-REMOVABLE BUILDING PROTUBERANCE



|  |          |
|--|----------|
| ANCHOR BOLT TO PIT WALL EDGE                 | 7 1/4"   |
| FACTORY APPLIED EXTERIOR FINISH AND FIREWALL | +        |
| FIELD APPLIED EXTERIOR FINISH **             | +        |
| HOISTWAY STEEL FROM PIT WALL EDGE            | - 1"     |
| DISTANCE BETWEEN FINISH AND FNBP **          | +        |
| * DISTANCE FROM FNBP TO ANCHOR BOLT          | =        |
|  | - 7 1/4" |
| DISTANCE FROM FNBP TO PIT WALL EDGE          | =        |

\*\* INFORMATION SUPPLIED BY OTHERS

SEE PIT PLANS FOR REMAINING ANCHOR BOLT / PIT DIMENSIONS

|  |      |
|--|------|
| FACTORY APPLIED EXTERIOR FINISH AND FIREWALL | +    |
| FIELD APPLIED EXTERIOR FINISH **             | +    |
| HOISTWAY STEEL FROM PIT WALL EDGE            | - 1" |
| <i>Exterior Finish Overlapping Pit Wall</i>  | =    |

Issue Date: 6/29/10

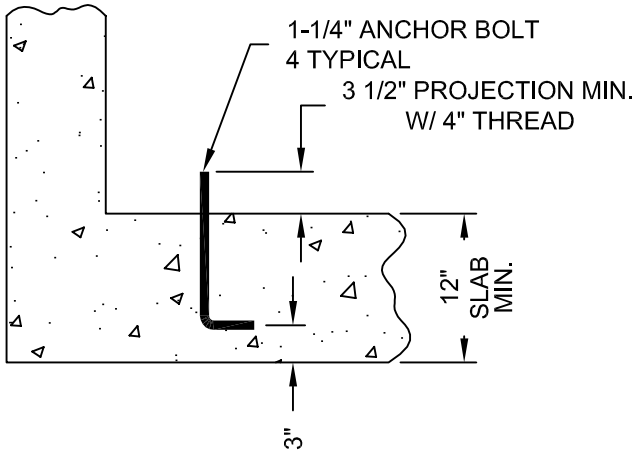


**PHOENIX MODULAR ELEVATOR INC.**  
 912 SOUTH 19TH ST. MT. VERNON, ILLINOIS 62864  
 PHONE: (618)-244-2314 FAX: (618)-244-1923  
 E-mail: info@phoenixmodularelevator.com  
 Web page: www.phoenixmodularelevator.com

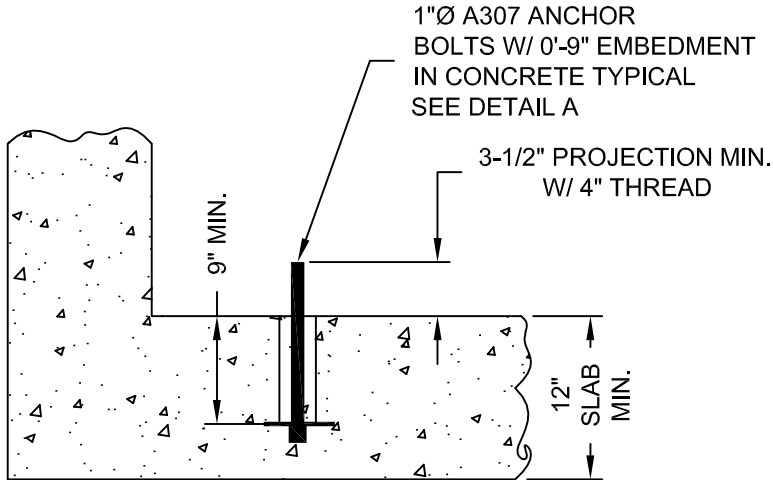
**PIT LOCATION - REFERENCE**

|                  |                       |                 |          |
|------------------|-----------------------|-----------------|----------|
| SIZE<br>A        | REV                   | REV. DATE       | FILE NO. |
| SCALE:<br>N.T.S. | DATE:<br>4/29/05 T.H. | DWG NO.<br>FP-7 |          |

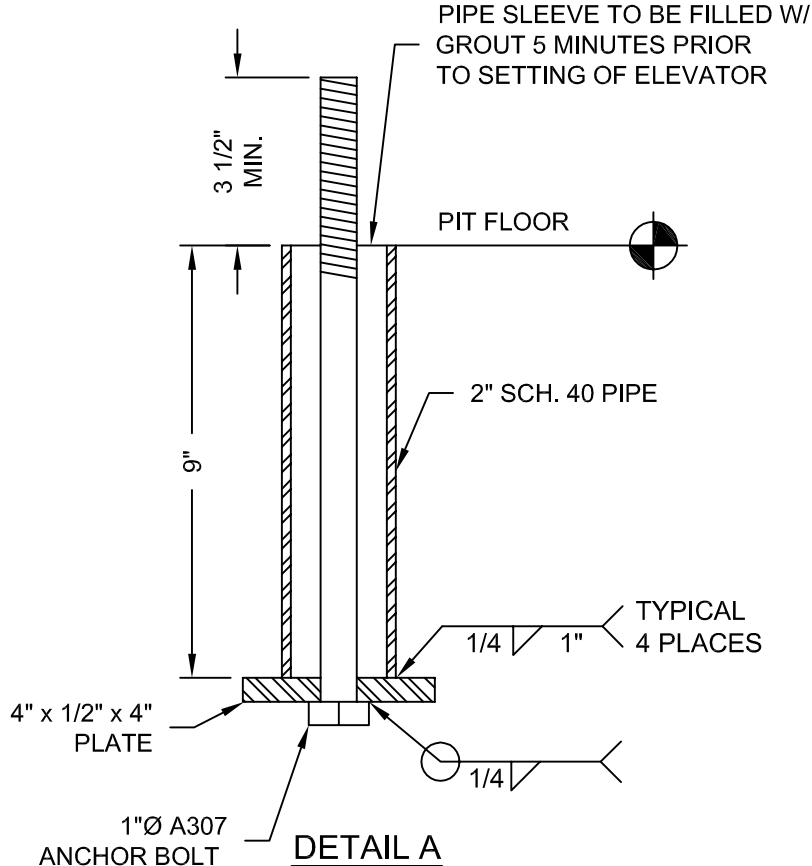
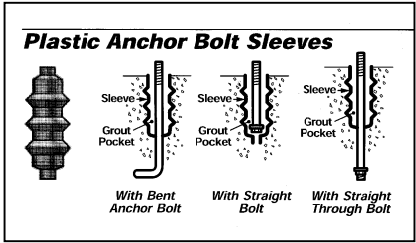
ALTERNATE METHODS, SUCH AS BELOW, ARE AVAILABLE. ELEVATOR PIT, MACHINE ROOM SLABS, AND ANCHORAGE ENGINEERED BY OTHERS.



TYPICAL ANCHOR BOLT METHOD ONE



TYPICAL ANCHOR BOLT METHOD TWO



SEE PIT PLANS FOR THE AC3000 AND AC4000 ANCHOR BOLT LOCATIONS.

Issue Date: 6/29/10



**PHOENIX MODULAR ELEVATOR INC.**  
 912 SOUTH 19TH ST. MT. VERNON, ILLINOIS 62864  
 PHONE: (618)-244-2314 FAX: (618)-244-1923  
 E-mail: info@phoenixmodularelevator.com  
 Web page: www.phoenixmodularelevator.com

ELEVATOR HOISTWAY ANCHORAGE DETAIL

|              |     |                     |          |
|--------------|-----|---------------------|----------|
| SIZE<br>A    | REV | REV. DATE           | FILE NO. |
| SCALE: N.T.S |     | DATE: 07/24/03 T.H. | FP-8     |