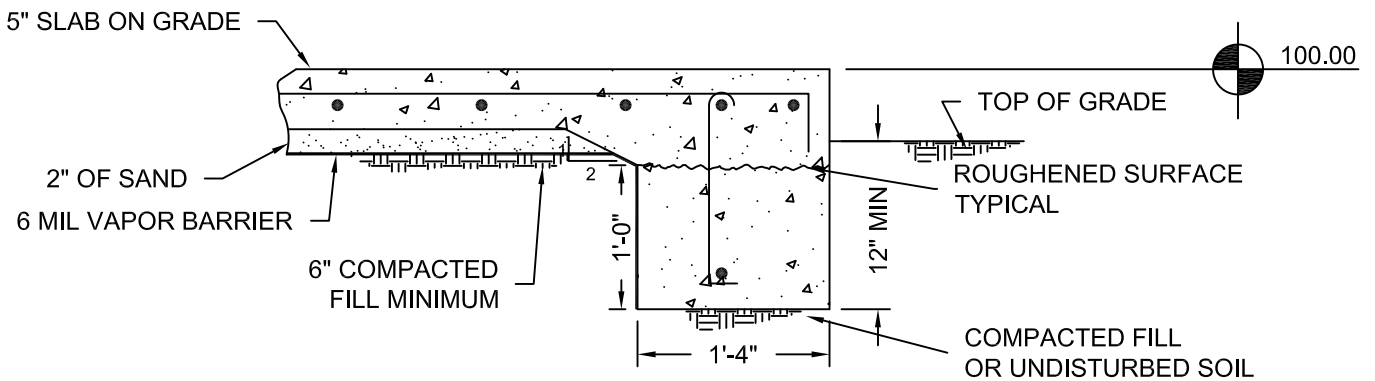


DIMENSIONS ARE FOR MODELS WF / WFR, SF / SFR, OR SCF / SCFR ONLY.

PLAN VIEW



SECTION A-A

Issue Date: 4/10/12



PHOENIX MODULAR ELEVATOR INC.
 912 SOUTH 19TH ST. MT. VERNON, ILLINOIS 62864
 PHONE: (618)-244-2314 FAX: (618)-244-1923
 E-mail: Info@phoenixmodularelevator.com
 Web page: www.phoenixmodularelevator.com

MODULAR MACHINE ROOM SLAB

SIZE A	REV	REV. DATE	FILE NO.
SCALE: N.T.S.	DATE: 4/10/12 T.H.		DWG NO. MMR-5