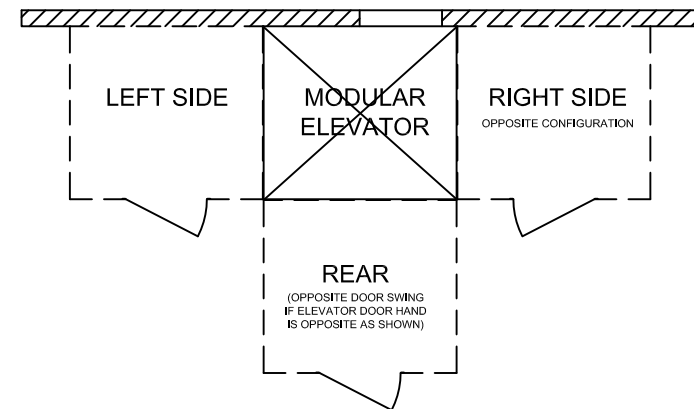


- 1) MAIN DISCONNECT (MOTOR)
- 2) FUSED DISCONNECTS OR CIRCUIT BREAKERS - LOCATED BELOW MAIN DISCONNECT
- 3) ELECTRICAL STUB UP.
- 4) LIGHT SWITCH / G.F.I. OUTLET COMBO - 42" ABOVE F.F.
- 5) 3'-0" x 7'-0" DOOR WITH SELF-CLOSING, SELF-LOCKING FIXTURES.
- 6) MODULAR PHONE JACK
- 7) CEILING MOUNTED FLUORESCENT LIGHT FIXTURES.



OPTIONAL MODULAR
MACHINE ROOM LOCATIONS

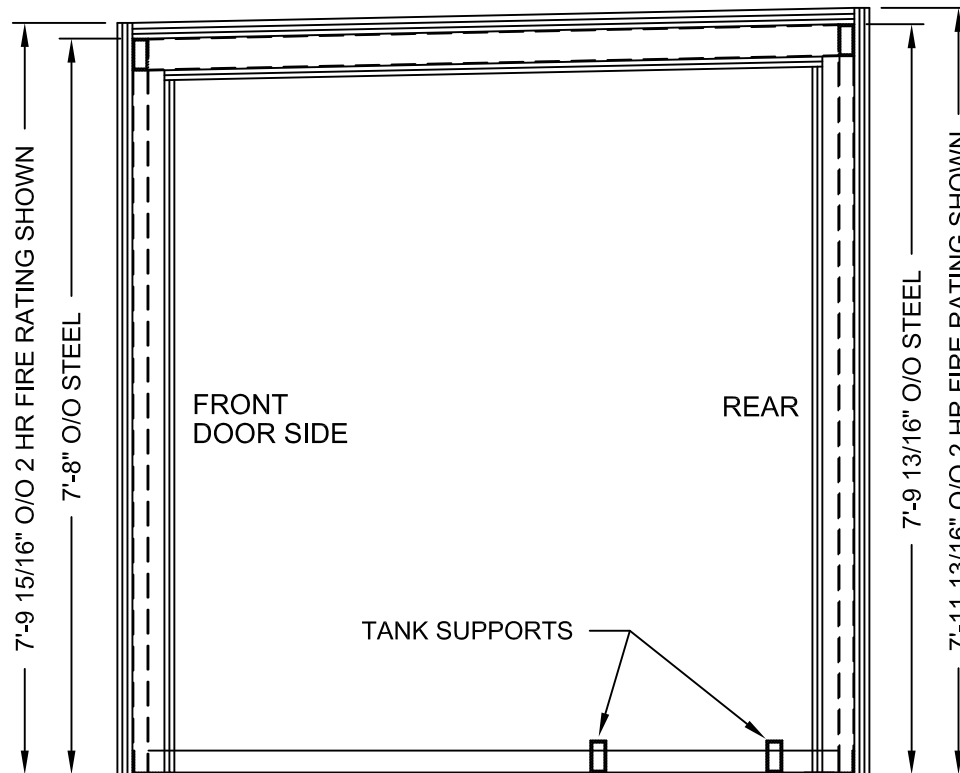
Issue Date: 4/10/12



PHOENIX MODULAR ELEVATOR INC.
 912 SOUTH 19TH ST. MT. VERNON, ILLINOIS 62864
 PHONE: (618)-244-2314 FAX: (618)-244-1923
 E-mail: Info@phoenixmodularelevator.com
 Web page: www.phoenixmodularelevator.com

MODULAR MACHINE ROOM PLAN VIEW

SIZE A	REV	REV. DATE	FILE NO.
SCALE: N.T.S.		DATE: 4/10/12 T.H.	MMR-1



Issue Date: 4/10/12

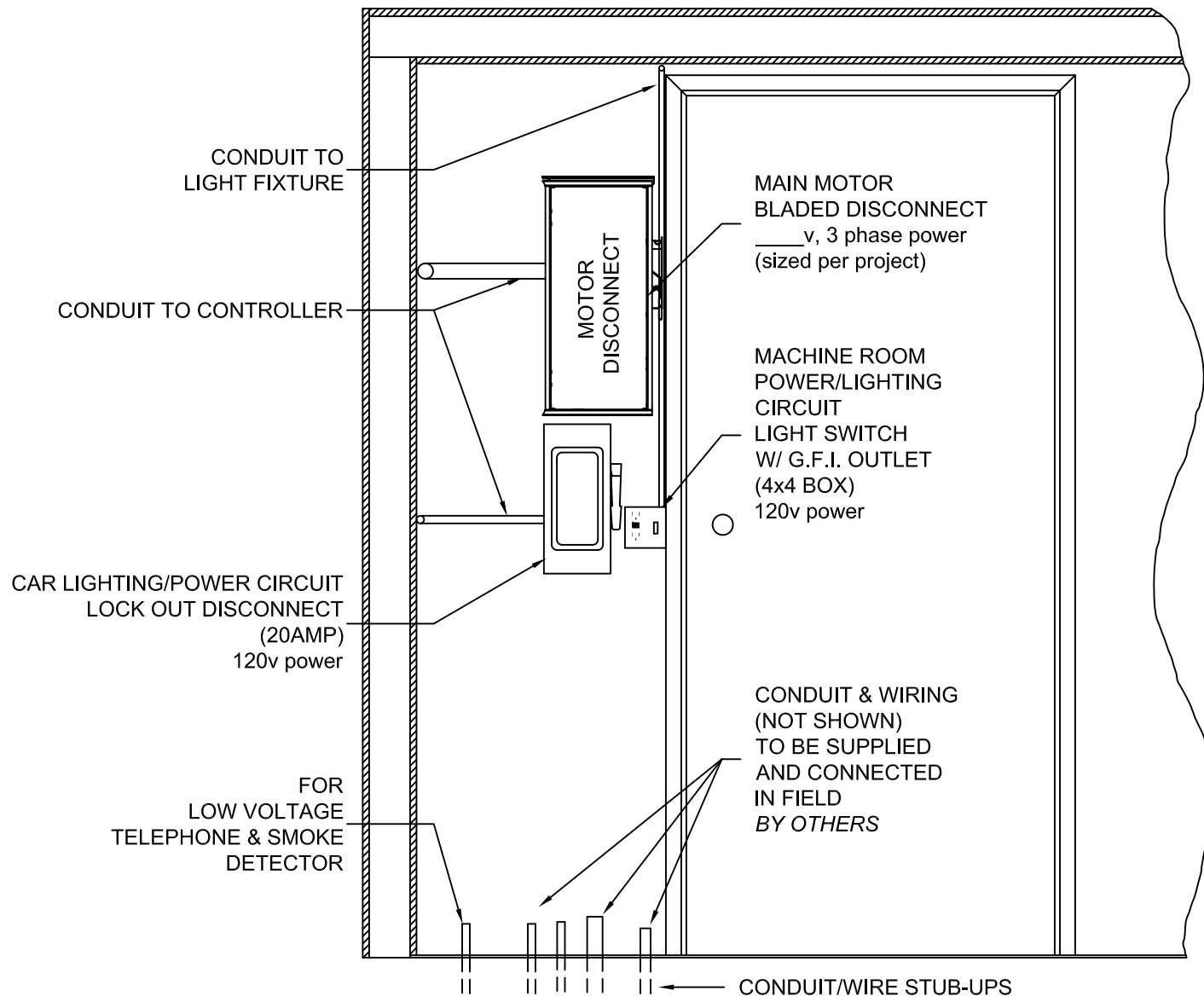


PHOENIX
MODULAR ELEVATOR

PHOENIX MODULAR ELEVATOR INC.
912 SOUTH 19TH ST. MT. VERNON, ILLINOIS 62864
PHONE: (618)-244-2314 FAX: (618)-244-1923
E-mail: Info@phoenixmodularelevator.com
Web page: www.phoenixmodularelevator.com

SECTION A - MACHINE ROOM ELEVATION VIEW

SIZE A	REV	REV. DATE	FILE NO.
SCALE: N.T.S.		DATE: 4/10/12 T.H.	MMR-2



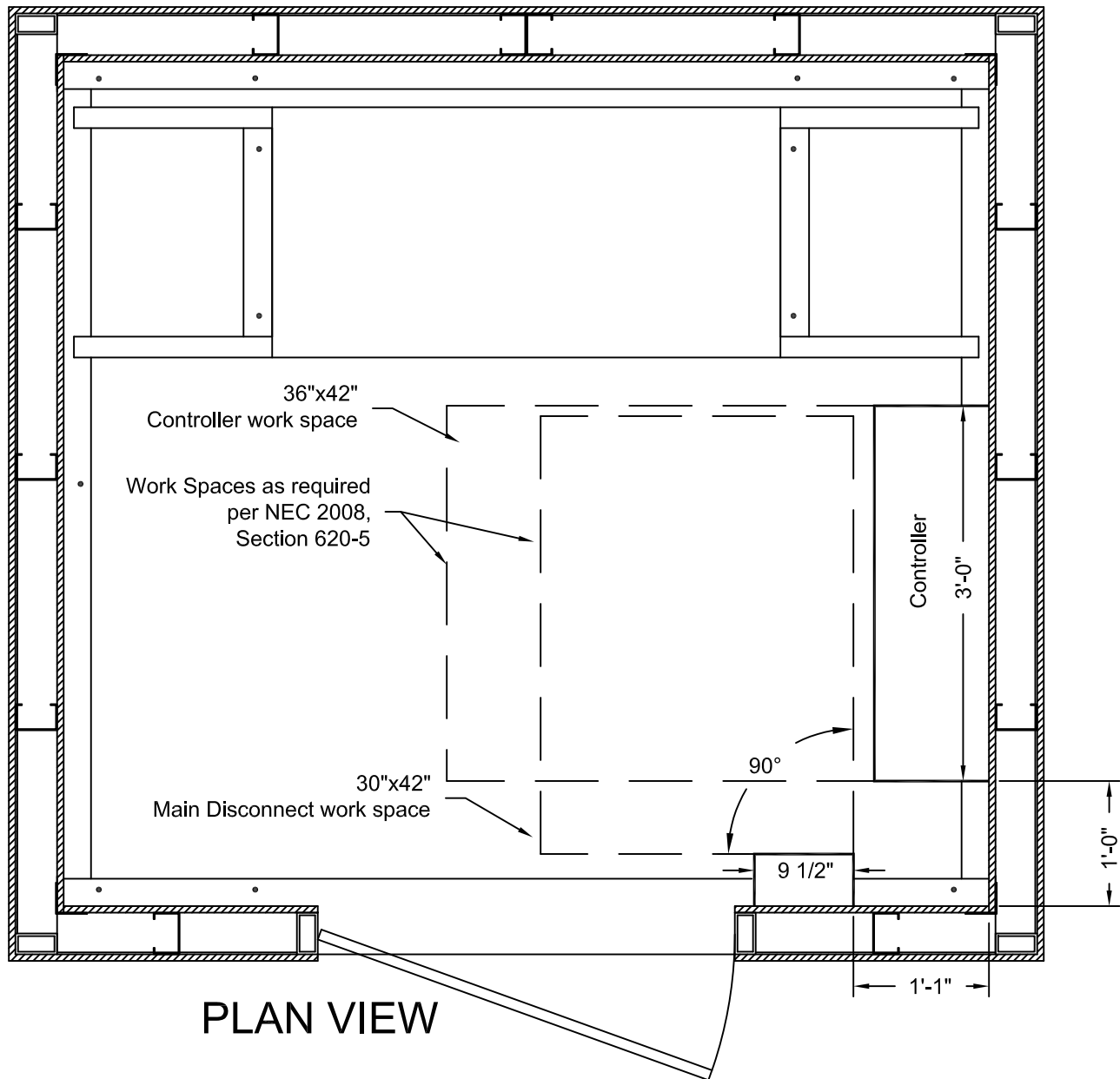
Issue Date: 4/10/12



PHOENIX MODULAR ELEVATOR INC.
 912 SOUTH 19TH ST. MT. VERNON, ILLINOIS 62864
 PHONE: (618)-244-2314 FAX: (618)-244-1923
 E-mail: Info@phoenixmodularelevator.com
 Web page: www.phoenixmodularelevator.com

MACHINE ROOM PRE-WIRED LOAD CENTER

SIZE A	REV	REV. DATE	FILE NO.
SCALE: N.T.S.		DATE: 4/10/12 T.H.	MMR-3



PLAN VIEW

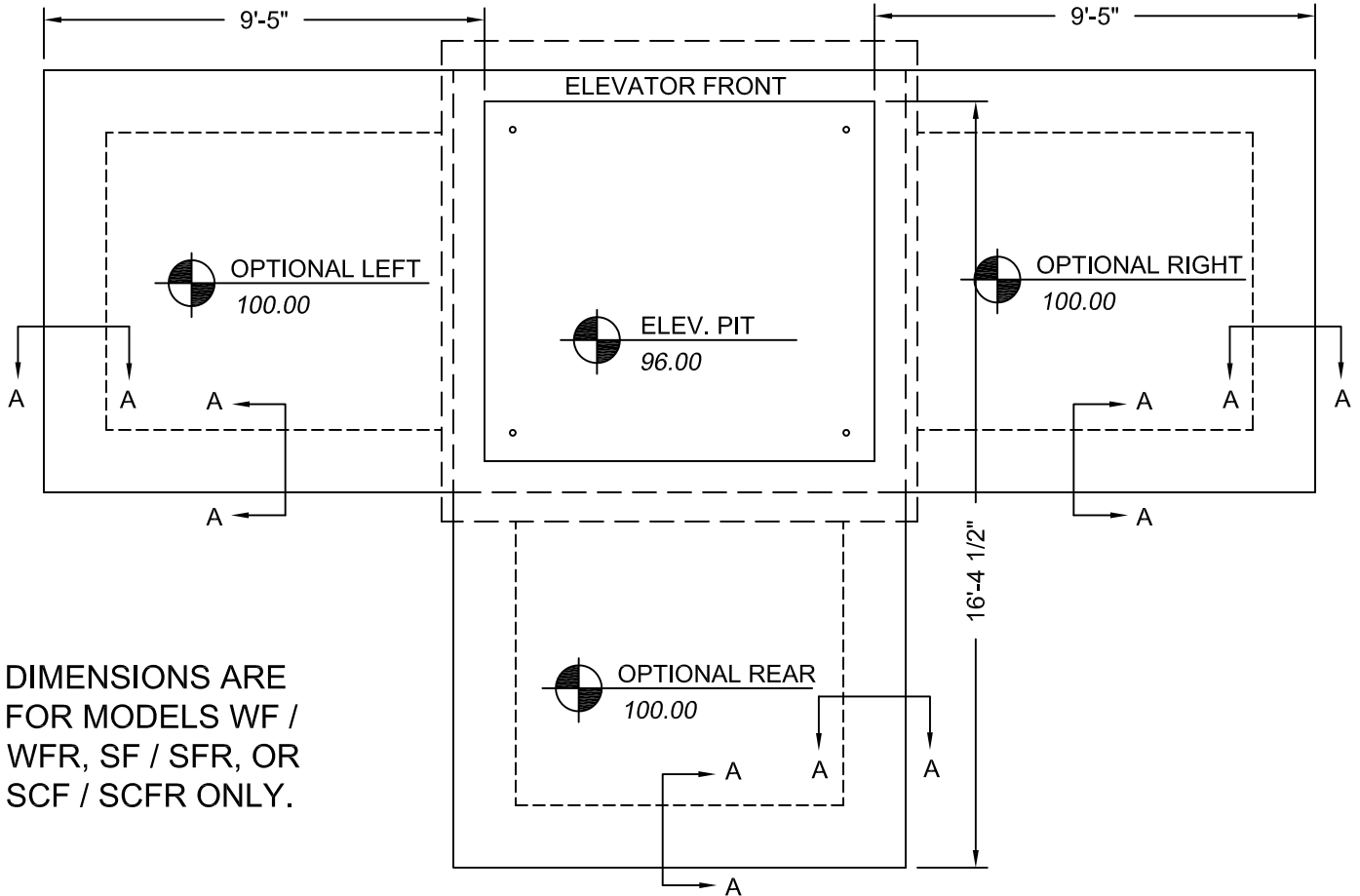
Issue Date: 4/10/12



PHOENIX MODULAR ELEVATOR INC.
 912 SOUTH 19TH ST. MT. VERNON, ILLINOIS 62864
 PHONE: (618)-244-2314 FAX: (618)-244-1923
 E-mail: Info@phoenixmodularelevator.com
 Web page: www.phoenixmodularelevator.com

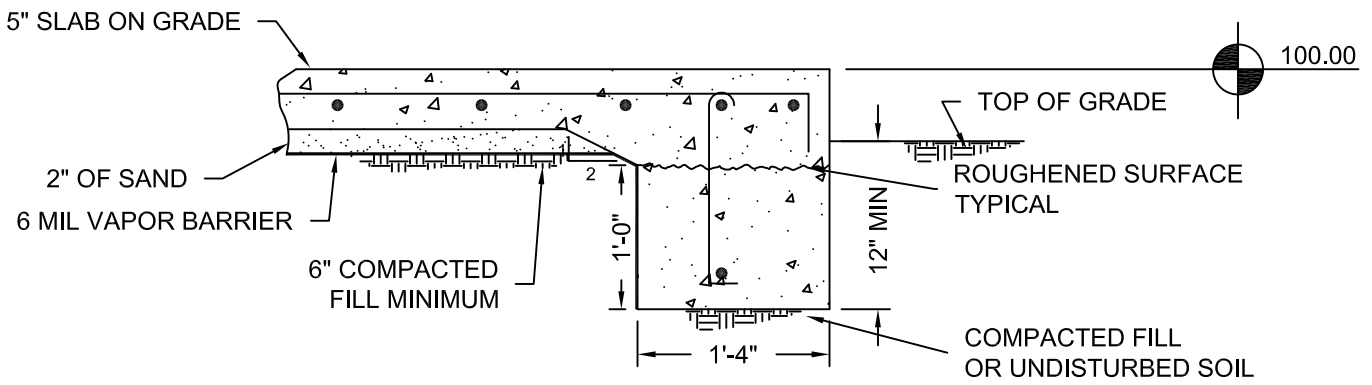
MACHINE ROOM ELECTRICAL SPACES

SIZE A	REV	REV. DATE	FILE NO.
SCALE: N.T.S.		DATE: 4/10/12 T.H.	MMR-4



DIMENSIONS ARE FOR MODELS WF / WFR, SF / SFR, OR SCF / SCFR ONLY.

PLAN VIEW



SECTION A-A

Issue Date: 4/10/12

PME
PHOENIX MODULAR ELEVATOR INC.
 912 SOUTH 19TH ST. MT. VERNON, ILLINOIS 62864
 PHONE: (618)-244-2314 FAX: (618)-244-1923
 E-mail: Info@phoenixmodularelevator.com
 Web page: www.phoenixmodularelevator.com

MODULAR MACHINE ROOM SLAB			
SIZE A	REV	REV. DATE	FILE NO.
SCALE: N.T.S.	DATE: 4/10/12 T.H.		DWG NO. MMR-5