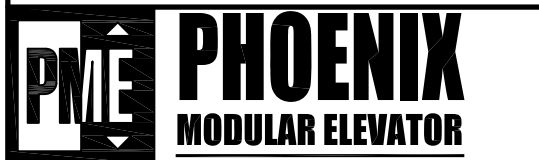


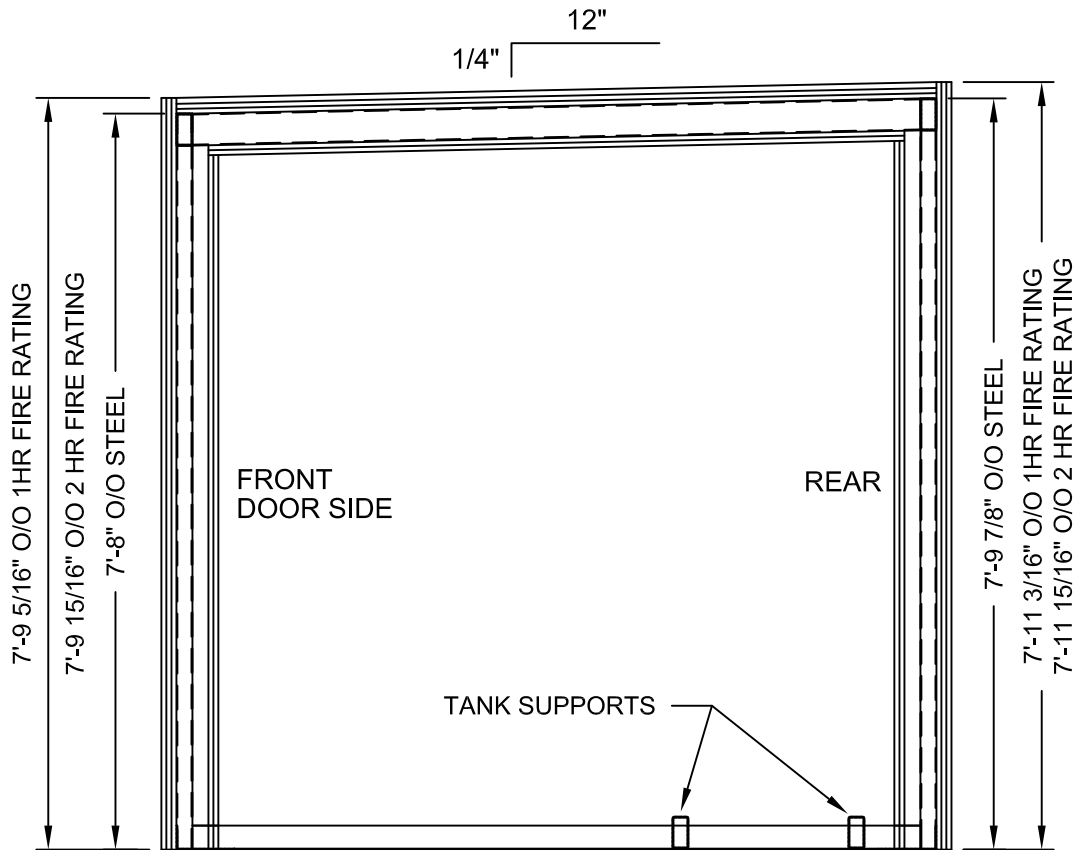
Issue Date: 1/7/16



PHOENIX MODULAR ELEVATOR INC.
 912 SOUTH 19TH ST. MT. VERNON, ILLINOIS 62864
 PHONE: (618)-244-2314 FAX: (618)-244-1923
 E-mail: Info@phoenixmodularelevator.com
 Web page: www.phoenixmodularelevator.com

MODULAR MACHINE ROOM PLAN VIEW

SIZE A	REV	REV. DATE	FILE NO.
SCALE: N.T.S.	DATE: 1/7/16		DWG NO. MMR-SL-1



Issue Date: 1/7/16

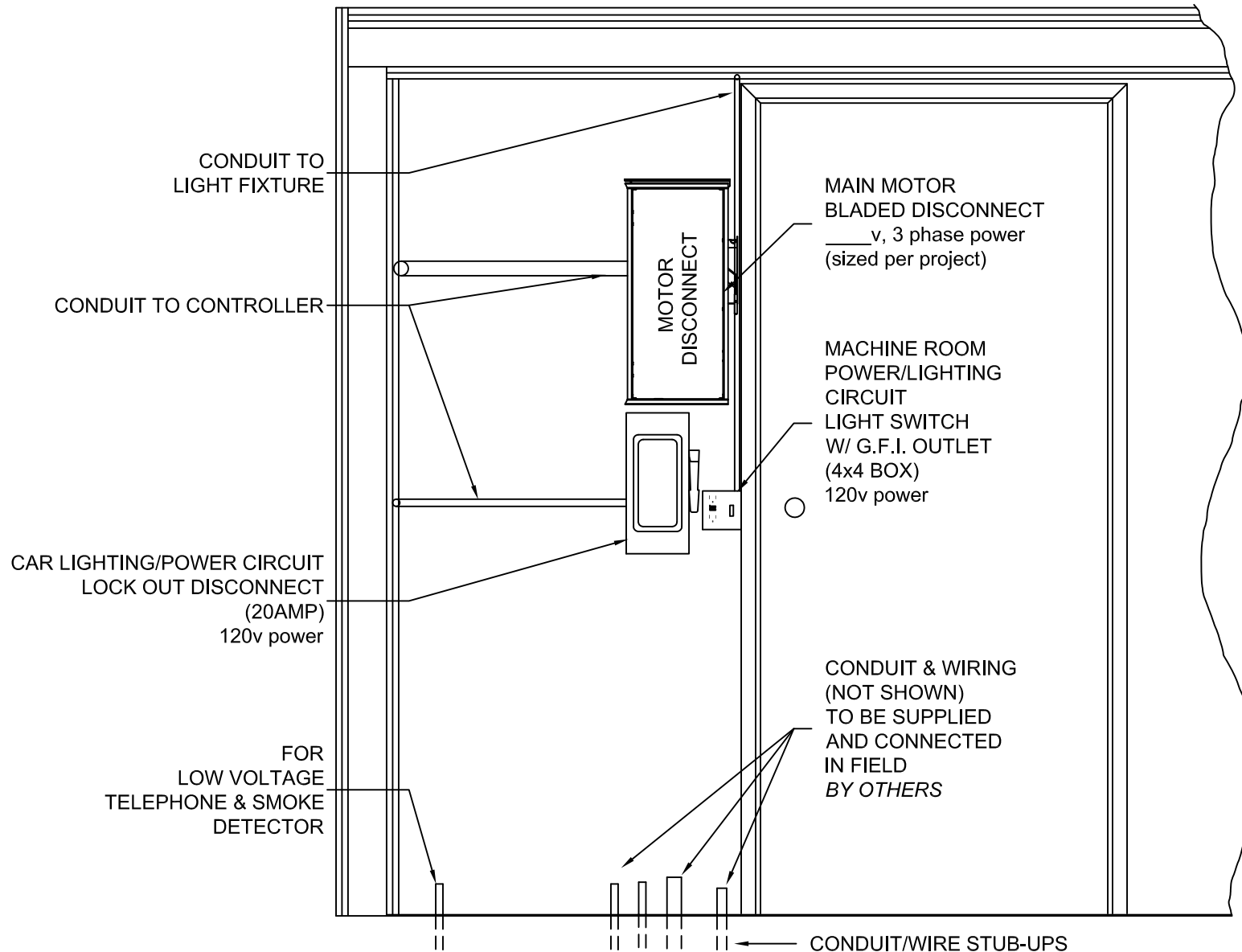


PHOENIX
MODULAR ELEVATOR

PHOENIX MODULAR ELEVATOR INC.
912 SOUTH 19TH ST. MT. VERNON, ILLINOIS 62864
PHONE: (618)-244-2314 FAX: (618)-244-1923
E-mail: Info@phoenixmodularelevator.com
Web page: www.phoenixmodularelevator.com

SECTION A - MACHINE ROOM ELEVATION VIEW

SIZE A	REV	REV. DATE	FILE NO.
SCALE: N.T.S.		DATE: 1/7/16	DWG NO. MMR-SL-2



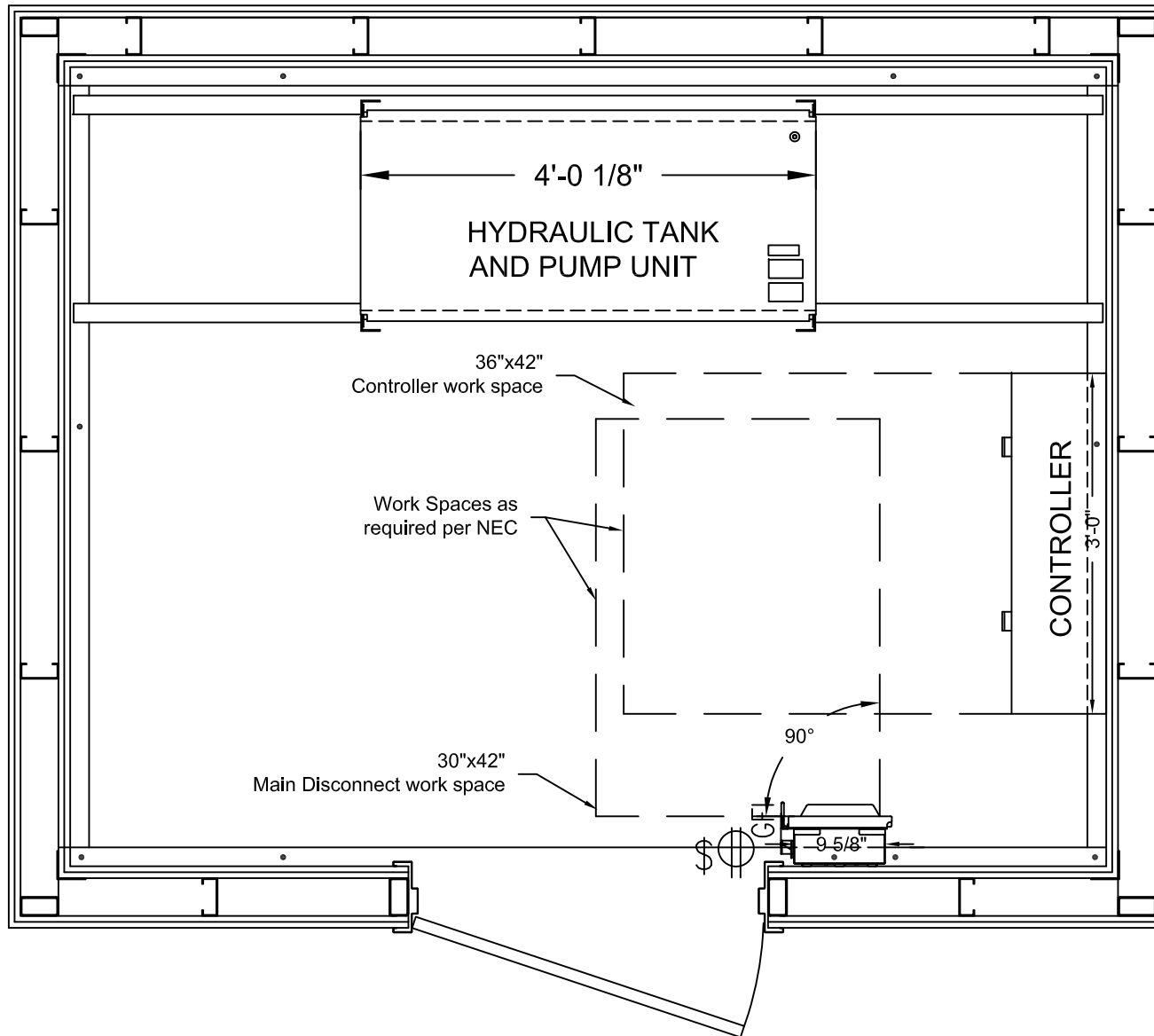
Issue Date: 1/7/16



PHOENIX MODULAR ELEVATOR INC.
 912 SOUTH 19TH ST. MT. VERNON, ILLINOIS 62864
 PHONE: (618)-244-2314 FAX: (618)-244-1923
 E-mail: Info@phoenixmodularelevator.com
 Web page: www.phoenixmodularelevator.com

MACHINE ROOM PRE-WIRED LOAD CENTER

SIZE A	REV	REV. DATE	FILE NO.
SCALE: N.T.S.		DATE: 1/7/16	DWG NO. MMR-SL-3



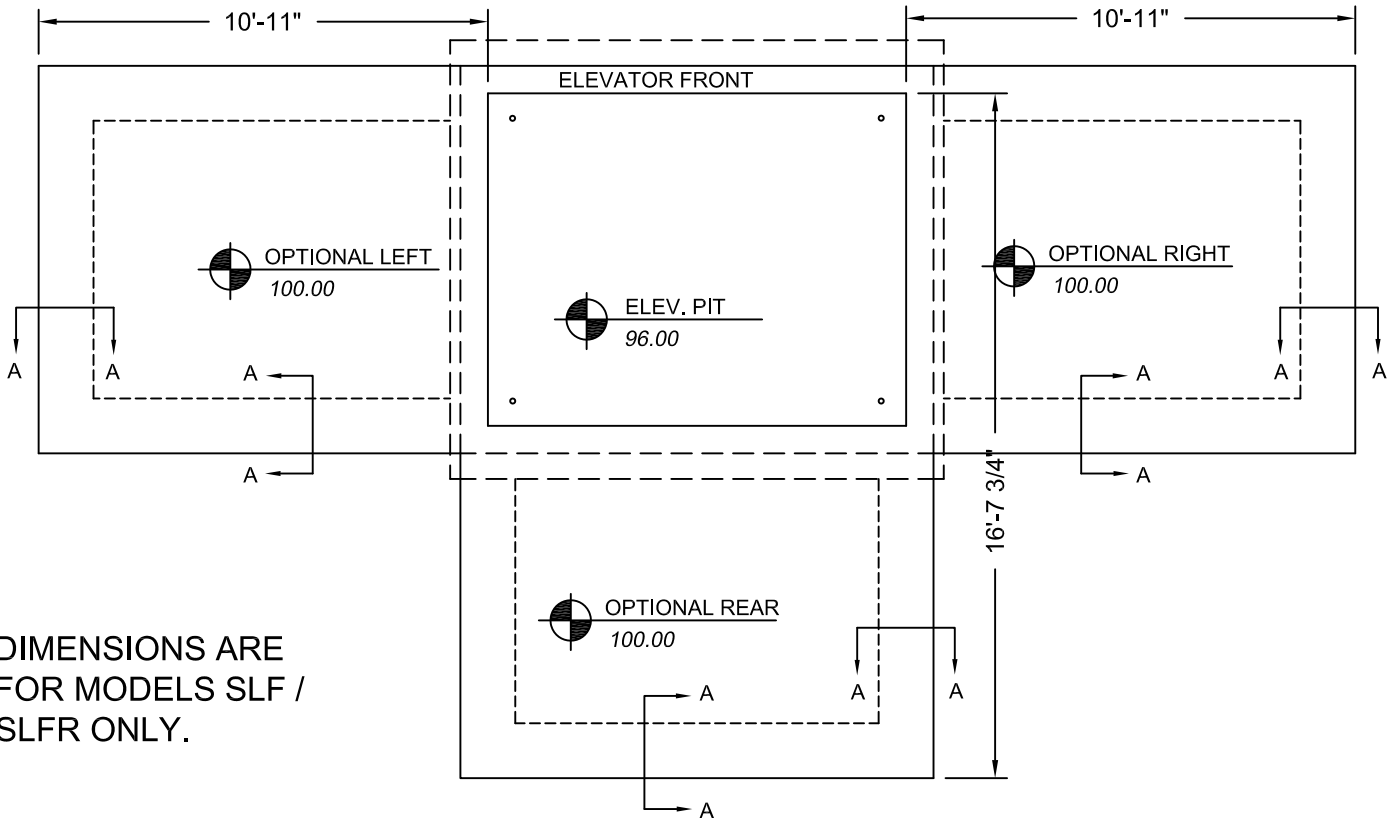
Issue Date: 1/7/16



PHOENIX MODULAR ELEVATOR INC.
 912 SOUTH 19TH ST. MT. VERNON, ILLINOIS 62864
 PHONE: (618)-244-2314 FAX: (618)-244-1923
 E-mail: Info@phoenixmodularelevator.com
 Web page: www.phoenixmodularelevator.com

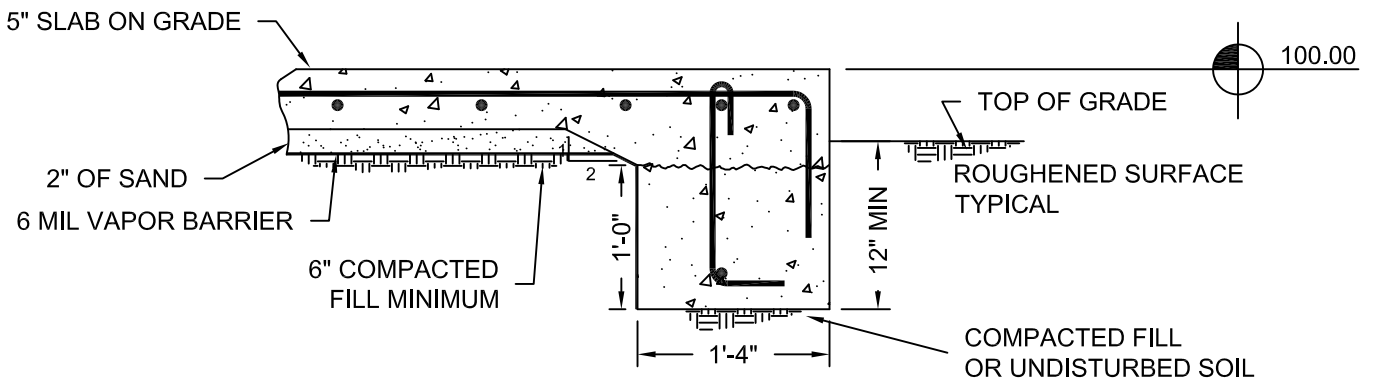
MACHINE ROOM ELECTRICAL SPACES

SIZE A	REV	REV. DATE	FILE NO.
SCALE: N.T.S.		DATE: 1/7/16	DWG NO. MMR-SL-4



DIMENSIONS ARE FOR MODELS SLF / SLFR ONLY.

PLAN VIEW



SECTION A-A

Issue Date: 1/7/16

PME
PHOENIX MODULAR ELEVATOR INC.
 912 SOUTH 19TH ST. MT. VERNON, ILLINOIS 62864
 PHONE: (618)-244-2314 FAX: (618)-244-1923
 E-mail: Info@phoenixmodularelevator.com
 Web page: www.phoenixmodularelevator.com

MODULAR MACHINE ROOM SLAB			
SIZE A	REV	REV. DATE	FILE NO.
SCALE: N.T.S.	DATE: 1/7/16		DWG NO. MMR-SL-5