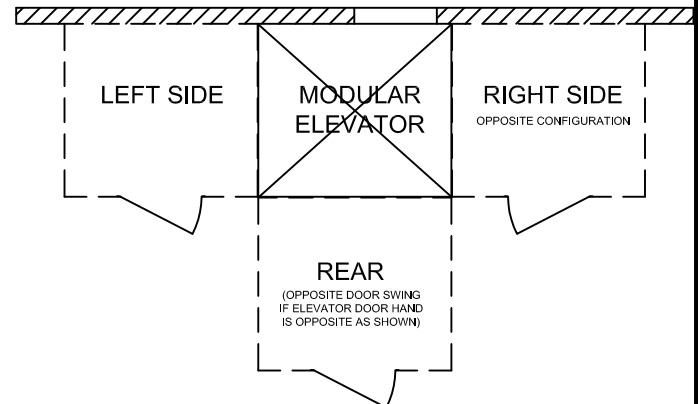


- 1) MAIN DISCONNECT (MOTOR)
- 2) FUSED DISCONNECTS OR CIRCUIT BREAKERS - LOCATED BELOW MAIN DISCONNECT
- 3) ELECTRICAL STUB UP.
- 4) LIGHT SWITCH / G.F.I. OUTLET COMBO - 42" ABOVE F.F.
- 5) 3'-0" x 7'-0" DOOR WITH SELF-CLOSING, SELF-LOCKING FIXTURES.
- 6) TELEPHONE CONNECTION TO CONTROLLER
- 7) CEILING MOUNTED FLUORESCENT LIGHT FIXTURES.
- 8) Optional PTAC UNIT



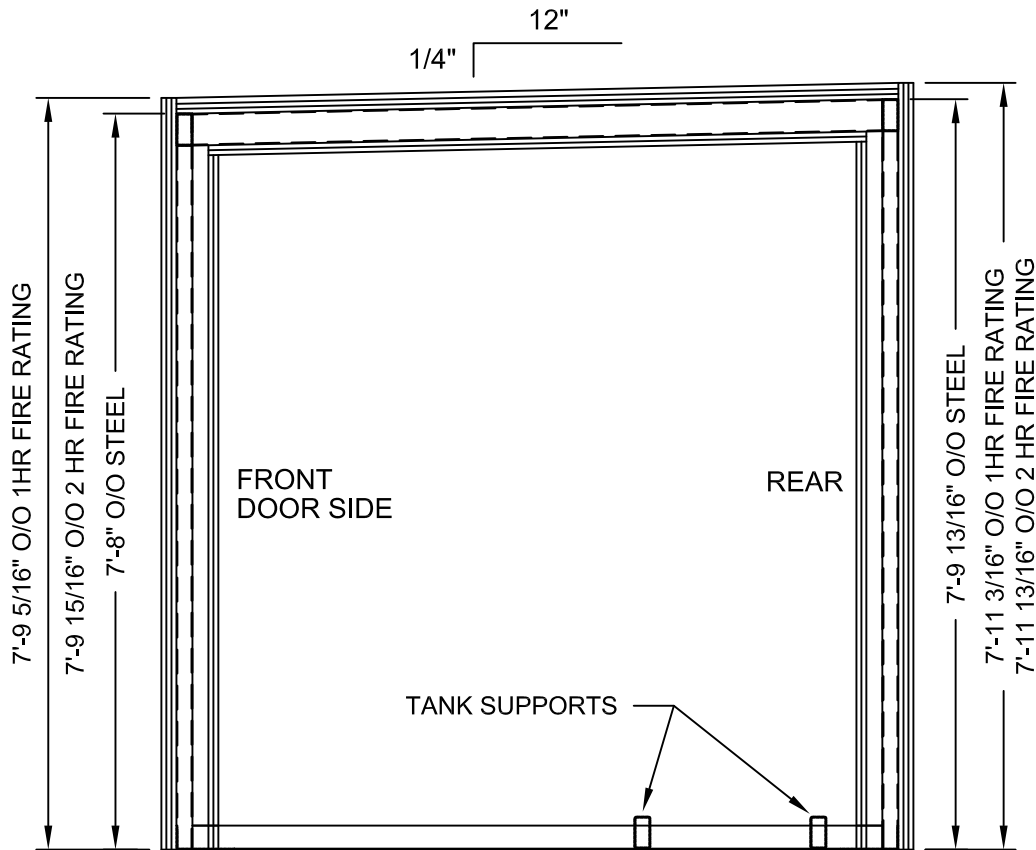
OPTIONAL MODULAR MACHINE ROOM LOCATIONS

Issue Date: 8/26/15

**PHOENIX**  
MODULAR ELEVATOR

**PHOENIX MODULAR ELEVATOR INC.**  
912 SOUTH 19TH ST. MT. VERNON, ILLINOIS 62864  
PHONE: (618)-244-2314 FAX: (618)-244-1923  
E-mail: [Info@phoenixmodularelevator.com](mailto:Info@phoenixmodularelevator.com)  
Web page: [www.phoenixmodularelevator.com](http://www.phoenixmodularelevator.com)

MODULAR MACHINE ROOM PLAN VIEW			
SIZE	REV	REV. DATE	FILE NO.
A			
SCALE: N.T.S.		DATE: 8/26/15 T.H.	DWG NO. <b>MMR-1</b>



Issue Date: 8/26/15

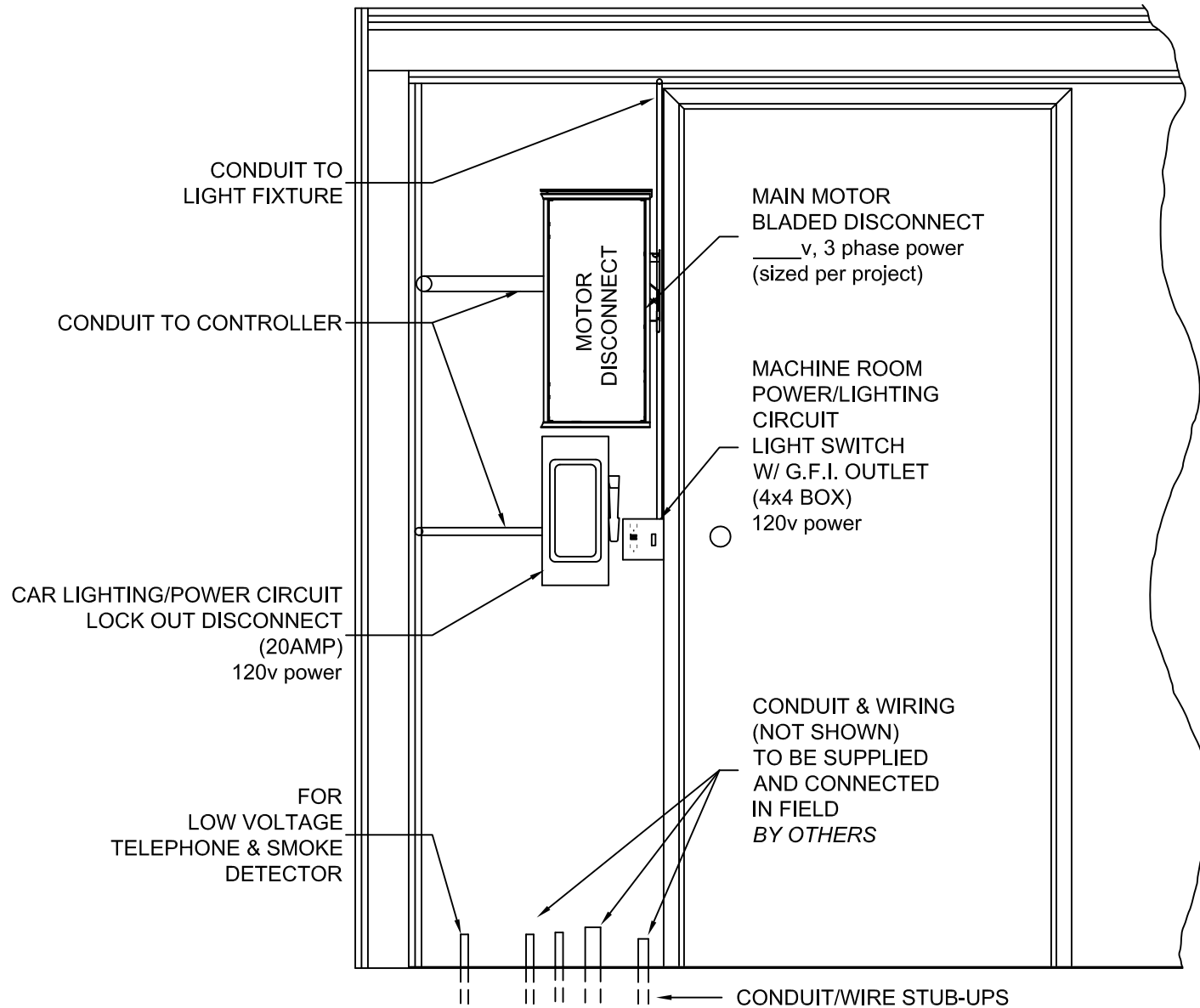


**PHOENIX**  
MODULAR ELEVATOR

**PHOENIX MODULAR ELEVATOR INC.**  
912 SOUTH 19TH ST. MT. VERNON, ILLINOIS 62864  
PHONE: (618)-244-2314 FAX: (618)-244-1923  
E-mail: [Info@phoenixmodularelevator.com](mailto:Info@phoenixmodularelevator.com)  
Web page: [www.phoenixmodularelevator.com](http://www.phoenixmodularelevator.com)

SECTION A - MACHINE ROOM ELEVATION VIEW

SIZE A	REV	REV. DATE	FILE NO.
SCALE: N.T.S.		DATE: 8/26/15 T.H.	DWG NO. <b>MMR-2</b>



Issue Date: 8/26/15

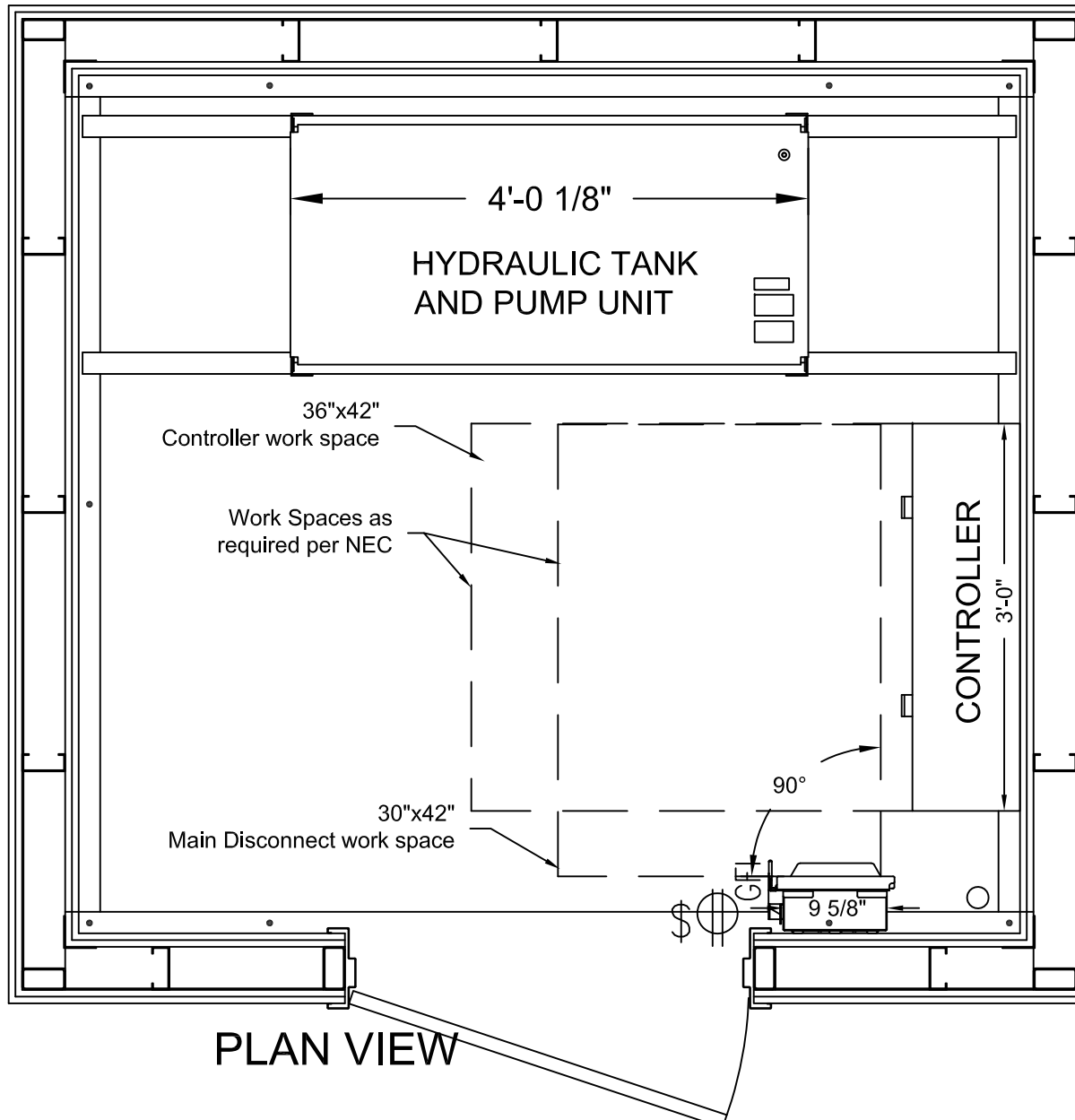


**PHOENIX**  
MODULAR ELEVATOR

**PHOENIX MODULAR ELEVATOR INC.**  
912 SOUTH 19TH ST. MT. VERNON, ILLINOIS 62864  
PHONE: (618)-244-2314 FAX: (618)-244-1923  
E-mail: [Info@phoenixmodularelevator.com](mailto:Info@phoenixmodularelevator.com)  
Web page: [www.phoenixmodularelevator.com](http://www.phoenixmodularelevator.com)

**MACHINE ROOM PRE-WIRED LOAD CENTER**

SIZE A	REV	REV. DATE	FILE NO.
SCALE: N.T.S.		DATE: 8/26/15 T.H.	DWG NO. <b>MMR-3</b>



PLAN VIEW

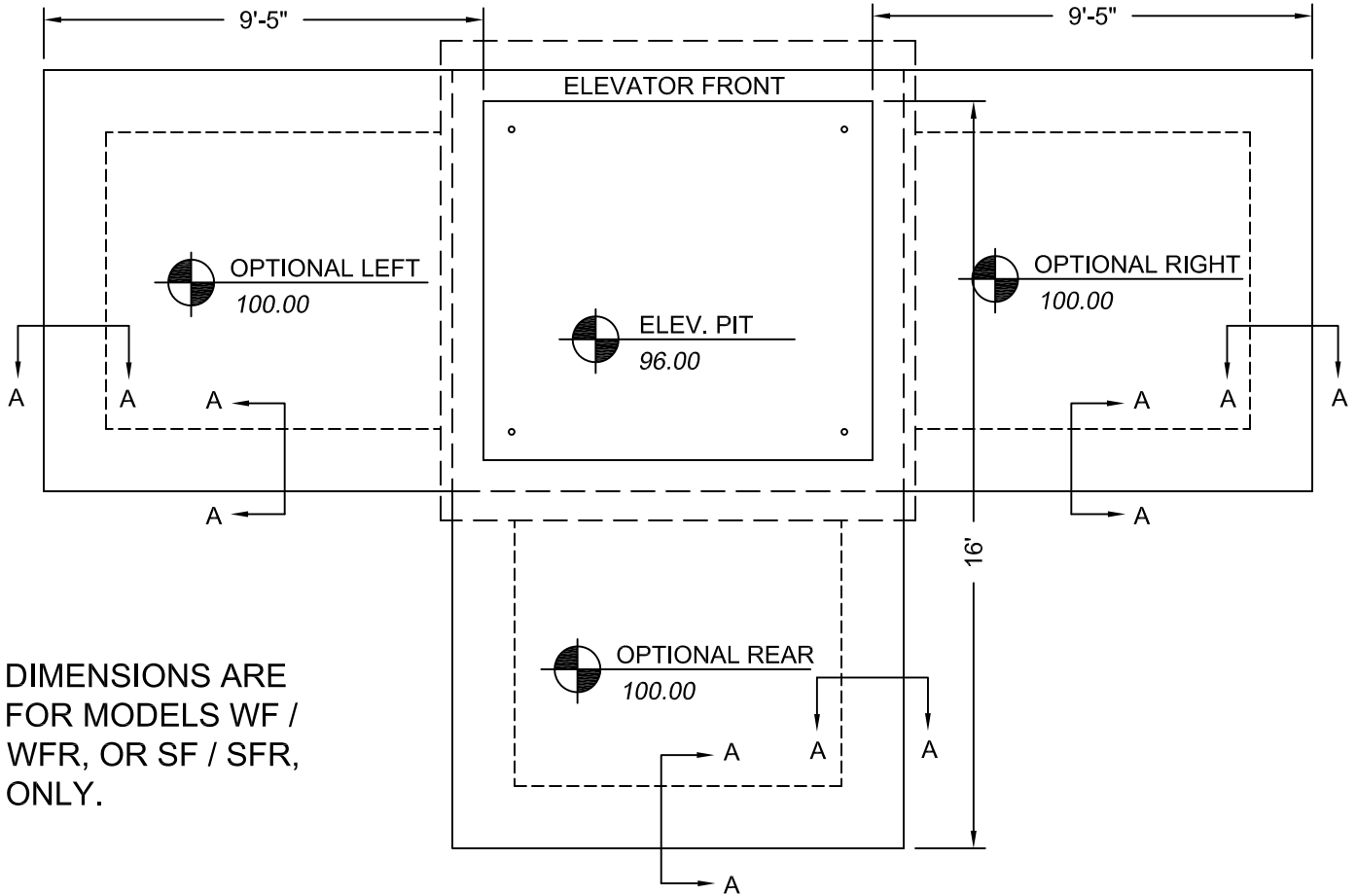
Issue Date: 8/26/15



**PHOENIX MODULAR ELEVATOR INC.**  
 912 SOUTH 19TH ST. MT. VERNON, ILLINOIS 62864  
 PHONE: (618)-244-2314 FAX: (618)-244-1923  
 E-mail: [Info@phoenixmodularelevator.com](mailto:Info@phoenixmodularelevator.com)  
 Web page: [www.phoenixmodularelevator.com](http://www.phoenixmodularelevator.com)

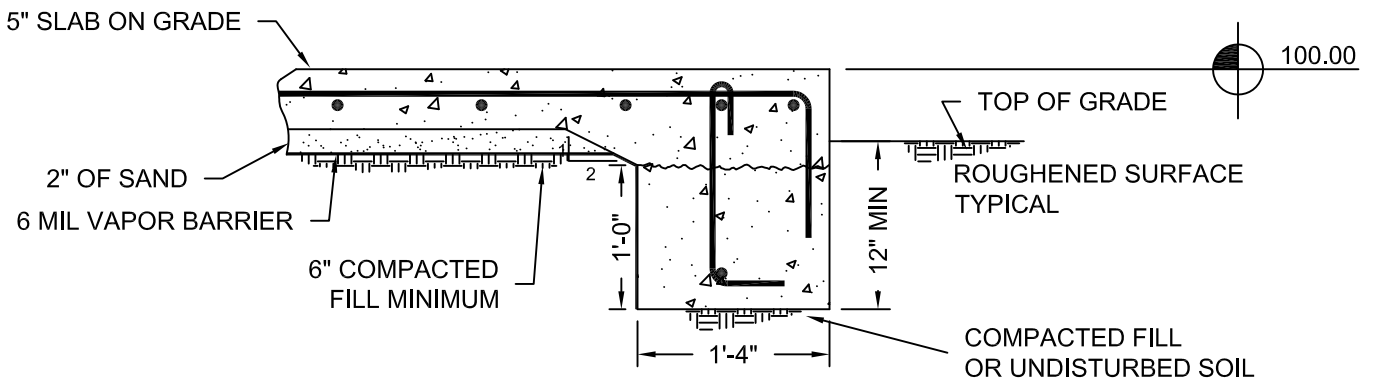
**MACHINE ROOM ELECTRICAL SPACES**

SIZE	REV	REV. DATE	FILE NO.
A			
SCALE: N.T.S.		DATE: 8/26/15 T.H.	DWG NO. <b>MMR-4</b>



DIMENSIONS ARE FOR MODELS WF / WFR, OR SF / SFR, ONLY.

PLAN VIEW



SECTION A-A

Issue Date: 8/26/15



**PHOENIX MODULAR ELEVATOR INC.**  
 912 SOUTH 19TH ST. MT. VERNON, ILLINOIS 62864  
 PHONE: (618)-244-2314 FAX: (618)-244-1923  
 E-mail: [Info@phoenixmodularelevator.com](mailto:Info@phoenixmodularelevator.com)  
 Web page: [www.phoenixmodularelevator.com](http://www.phoenixmodularelevator.com)

**MODULAR MACHINE ROOM SLAB**

SIZE A	REV	REV. DATE	FILE NO.
SCALE: N.T.S.	DATE: 8/26/15 T.H.		DWG NO. MMR-5