

Welcome to the Design Guide for projects that have $S_s \leq 2.7 > 2.0$ and for an ADA compliant elevator system that meets ambulance stretcher requirements as defined by CBC. This set of drawings is for reference. Please see the Pre-checked plans, PC02-114000, for specific details.

This guide contains templates for the hoistway / car layout, pit plan with machine room slabs, & a combination hoistway / machine room orientations. We have included the drawing index on this sheet so you will know which drawings to leave out when submitting your set to DSA on your project specific application.

"PC" - SHEET INDEX for the ambulance stretcher compliant

ARCHITECTURAL

EV0.0	COVER PAGE
EV1.0	PLAN VIEWS - ELEVATOR HOISTWAY
EV1.1	PLAN VIEWS - MODULAR MACHINE ROOM
EV1.2	MACHINE ROOM CONFIGURATIONS WITH HOISTWAY
EV1.3	ARCHITECTURAL ELEVATIONS
EV1.4	ARCHITECTURAL DETAILS
EV1.5	ACCESS ISSUES (ELEVATOR FIXTURES)

STRUCTURAL

	EV2.0.0	FOUNDATION PLANS-Ss = 2.7 Stretcher Compliant Elevator System
REMOVE	EV2.0.1	FOUNDATION PLANS-Ss = 2.7
REMOVE	EV2.0.2	FOUNDATION PLANS-Ss = 2.0 Stretcher Compliant Elevator System
REMOVE	EV2.0.3	FOUNDATION PLANS-Ss = 2.0
	EV2.1	FOUNDATION DETAILS
	EV2.2.0	ELEVATOR HOISTWAY STRUCTURAL - Stretcher Compliant System Ss=2.7
REMOVE	EV2.2.1	ELEVATOR HOISTWAY STRUCTURAL - Ss = 2.7
REMOVE	EV2.2.2	ELEVATOR HOISTWAY STRUCTURAL - Stretcher Compliant System Ss = 2.0
REMOVE	EV2.2.3	ELEVATOR HOISTWAY STRUCTURAL - Ss = 2.0
	EV2.3	ELEVATOR HOISTWAY - STRUCTURAL DETAILS
	EV2.4	ELEVATOR HOISTWAY - MISCELLANEOUS DETAILS
	EV2.5	MODULAR MACHINE ROOM STRUCTURAL - Stretcher Compliant Elevator System
REMOVE	EV2.5A	MODULAR MACHINE ROOM STRUCTURAL
	EV2.6	MODULAR MACHINE ROOM - STRUCTURAL SECTIONS - Stretcher Compliant
REMOVE	EV2.6A	MODULAR MACHINE ROOM - STRUCTURAL SECTIONS
	EV2.7	MODULAR MACHINE ROOM - STRUCTURAL DETAILS

The drawings above may contain additional options per drawing. Please select the appropriate option before submitting to DSA.

The AutoCAD version is available for your use. Please feel free to change layers and line types to fit your company policies.

General Note: Feel free to contact EXL Structural Engineers @ 909-613-0234 for any structural engineering questions. For approximate tower heights or elevator information feel free to contact Phoenix Modular Elevator Inc. @ 618-244-2314. We will need approximate total floor travel and type of jack system, holed or holeless, to calculate tower height.

THIS INFORMATION IS CONFIDENTIAL AND REMAINS THE PROPERTY OF PHOENIX MODULAR ELEVATOR INC. ITS USE, REPRODUCTION OR DISSEMINATION WITHOUT THE EXPRESS PERMISSION OF PHOENIX MODULAR ELEVATOR INC. IS STRICTLY PROHIBITED.

Issue Date: 8/26/15

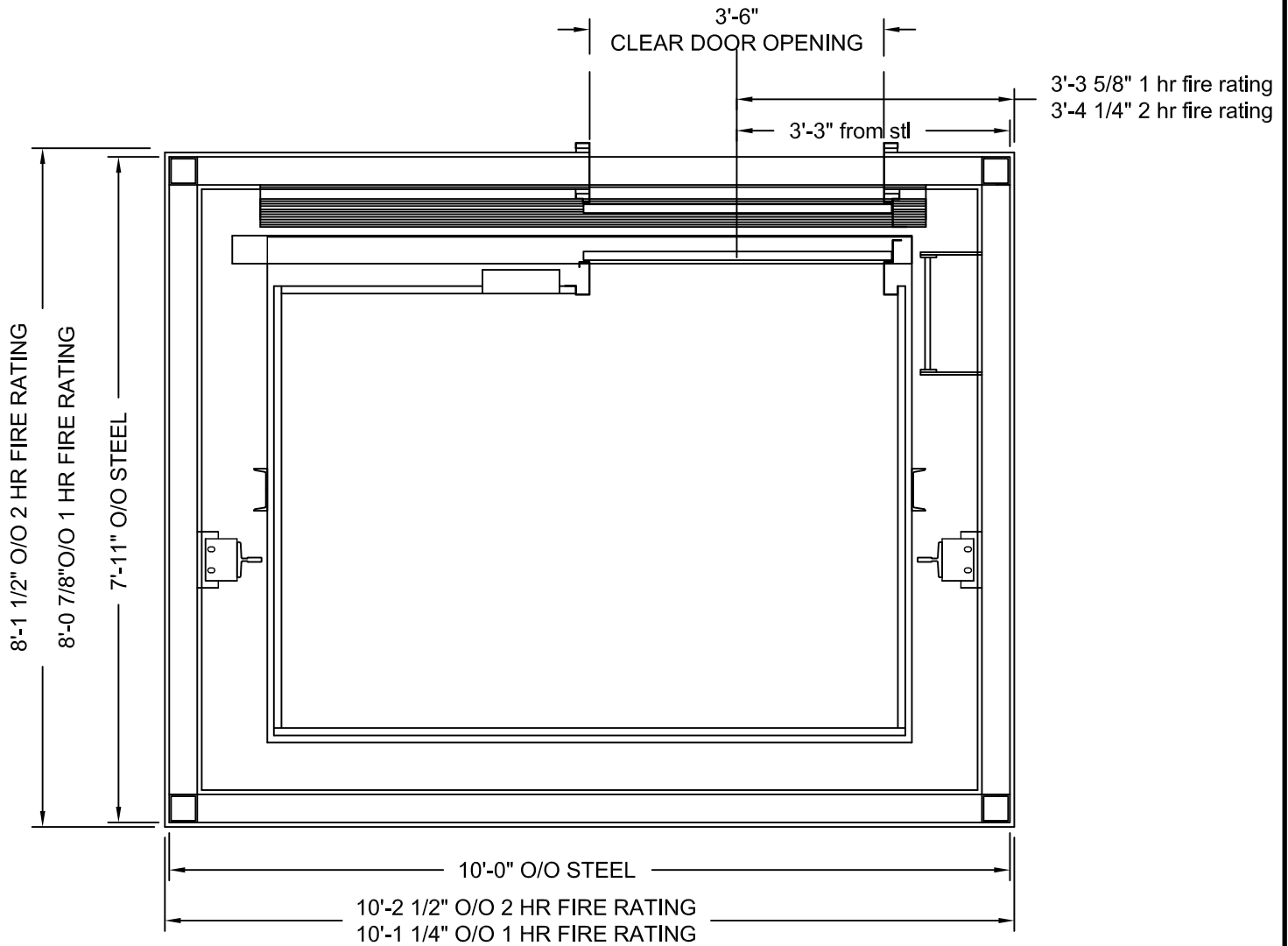


PHOENIX MODULAR ELEVATOR INC.
 912 SOUTH 19TH ST. MT. VERNON, ILLINOIS 62864
 PHONE: (618)-244-2314 FAX: (618)-244-1923
 E-mail: info@phoenixmodularelevator.com
 Web page: www.phoenixmodularelevator.com

REFERENCE SHEET

SIZE A	REV	REV. DATE	FILE NO. PC02-114000
SCALE: N.T.S.	DATE: 8/26/15 T.H.	DWG NO. A0	

For more details see the
Pre-checked (PC) drawings,
PC02-114000.



STRETCHER COMPLIANT ELEVATOR

SHOWN WITH ONE HOUR FIRE RATING

MIRROR IMAGE IS AVAILABLE

FRONT EXIT ELEVATOR SHOWN, FRONT/REAR EXIT USES SAME HOISTWAY

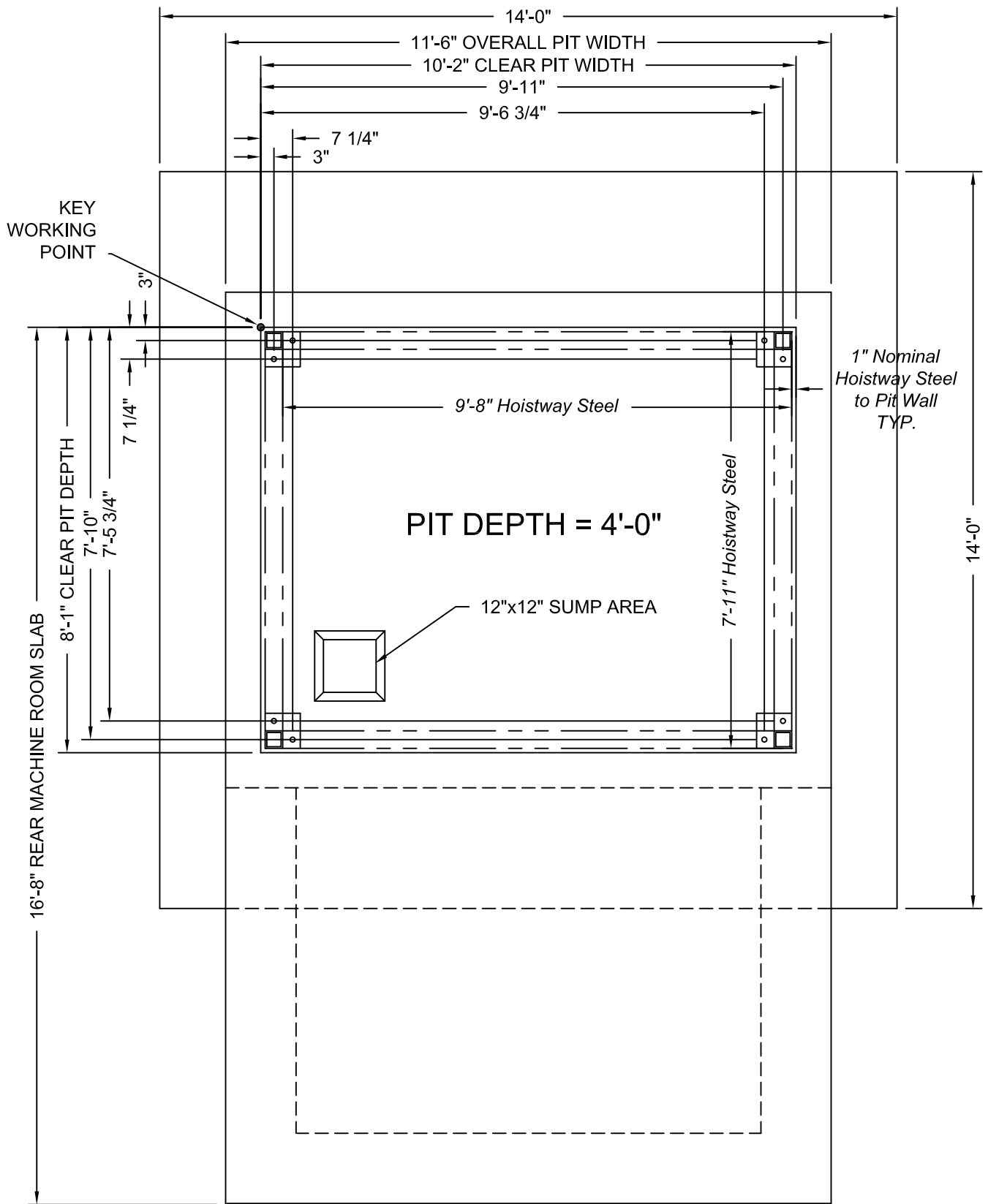
Issue Date: 8/26/15



PHOENIX MODULAR ELEVATOR INC.
912 SOUTH 19TH ST. MT. VERNON, ILLINOIS 62864
PHONE: (618)-244-2314 FAX: (618)-244-1923
E-mail: info@phoenixmodularelevator.com
Web page: www.phoenixmodularelevator.com

STRETCHER COMPLIANT ELEVATOR TOWER

SIZE A	REV	REV. DATE	FILE NO. PC02-114000
SCALE: N.T.S.	DATE: 8/26/15 T.H.	DWG NO.	A1



For more details see the Pre-checked (PC) drawings, PC02-114000

Issue Date: 8/26/15

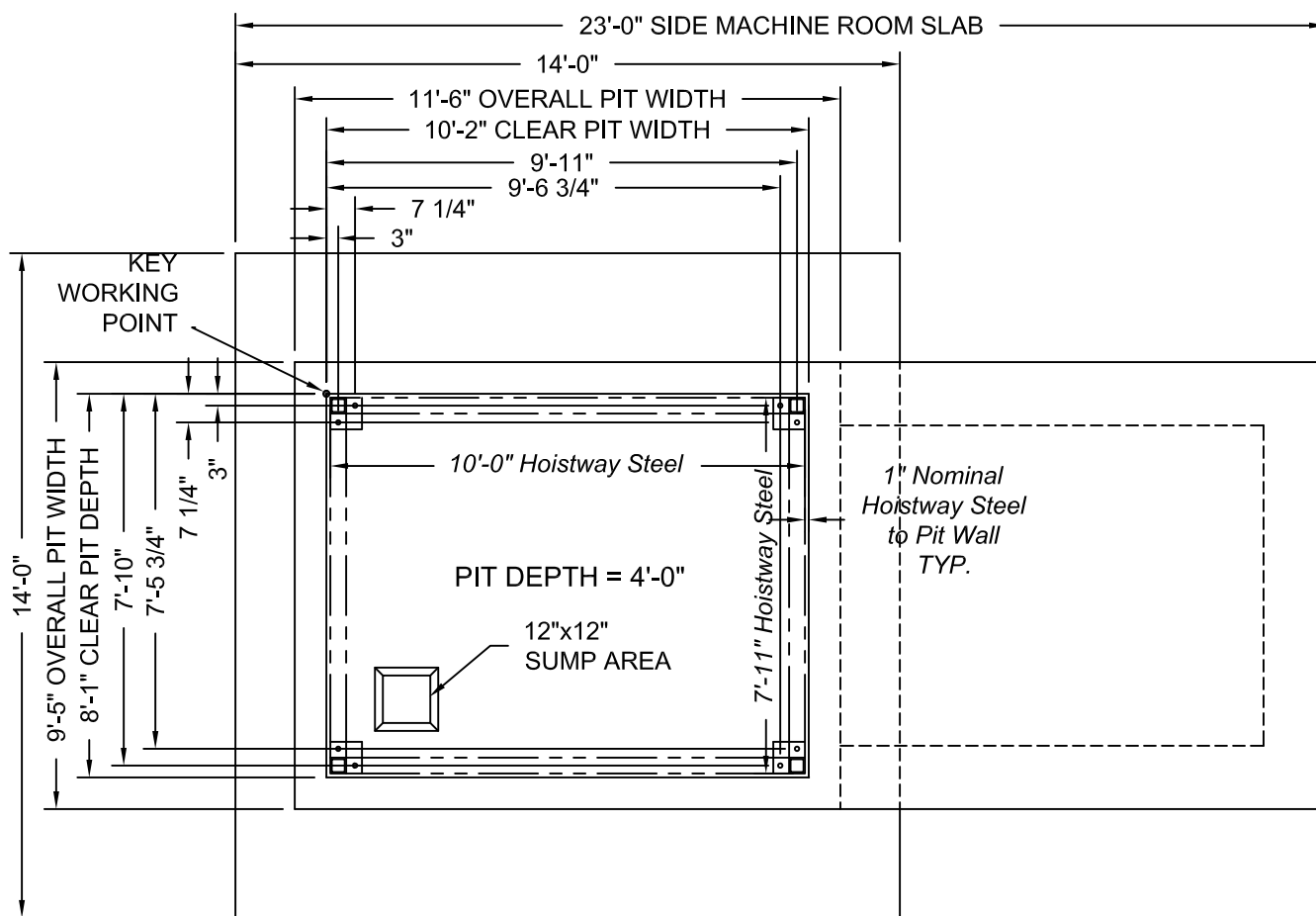


PHOENIX MODULAR ELEVATOR INC.
 912 SOUTH 19TH ST. MT. VERNON, ILLINOIS 62864
 PHONE: (618)-244-2314 FAX: (618)-244-1923
 E-mail: info@phoenixmodularelevator.com
 Web page: www.phoenixmodularelevator.com

PIT PLAN W/ MMR REAR SLAB for gurney elevator

SIZE A	REV	REV. DATE	FILE NO. PC02-114000
SCALE: N.T.S.	DATE: 8/26/15	T.H.	DWG NO. A1.1

For more details see the
Pre-checked (PC) drawings,
PC02-114000.



PLAN VIEW

Issue Date: 8/26/15

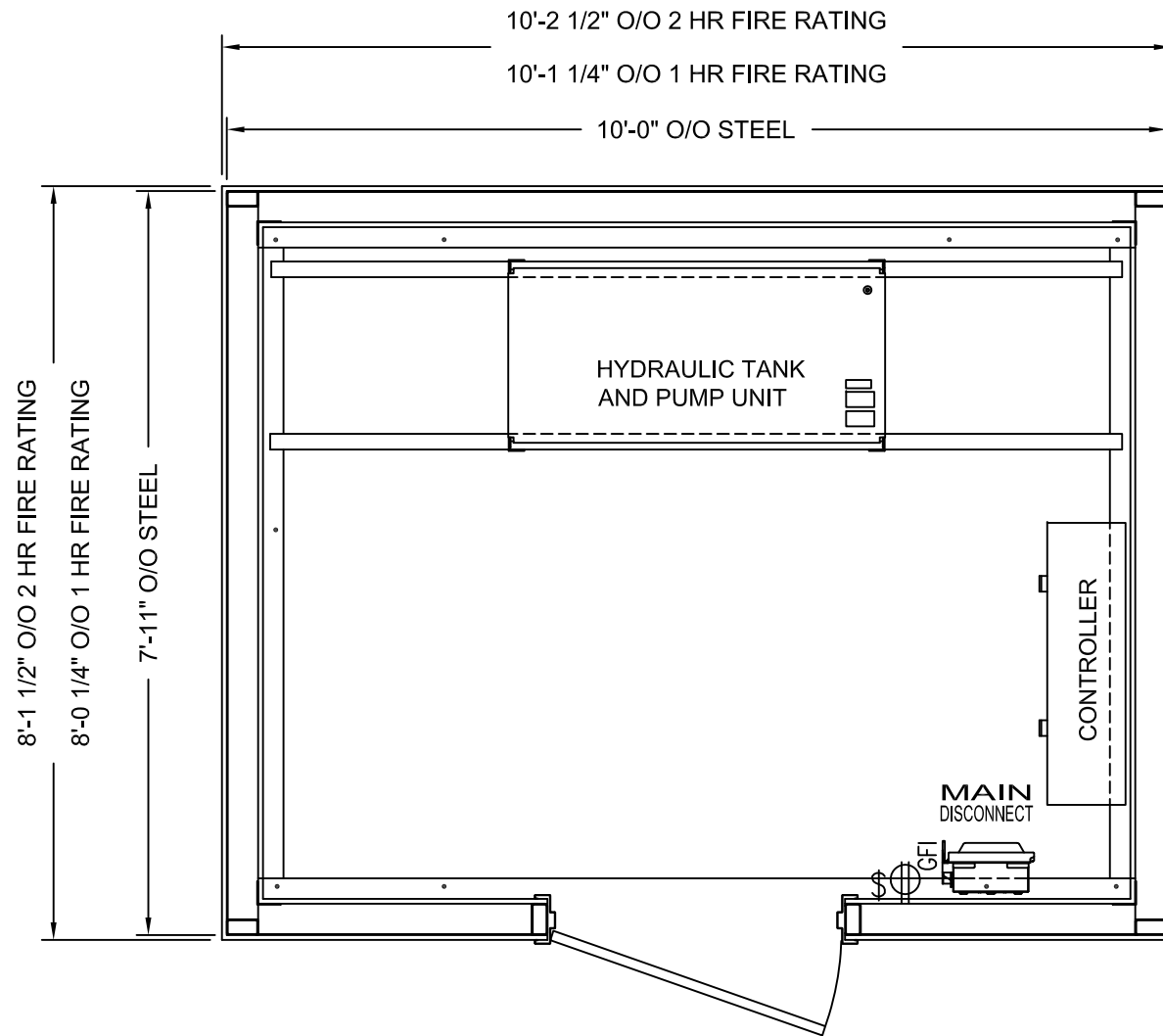


PHOENIX MODULAR ELEVATOR INC.
912 SOUTH 19TH ST. MT. VERNON, ILLINOIS 62864
PHONE: (618)-244-2314 FAX: (618)-244-1923
E-mail: Info@phoenixmodularelevator.com
Web page: www.phoenixmodularelevator.com

PIT PLAN W/ SIDE MMR SLAB for gurney size

SIZE A	REV	REV. DATE	FILE NO. \\PC02-114000
SCALE: N.T.S.	DATE: 8/26/15 T.H.		DWG NO. A1.2

For more details see the
Pre-checked (PC) drawings,
PC02-114000.



MODULAR MACHINE ROOM FOR STRETCHER COMPLIANT ELEVATOR SYSTEM
SHOWN WITH ONE HOUR FIRE RATING

Issue Date: 8/26/15

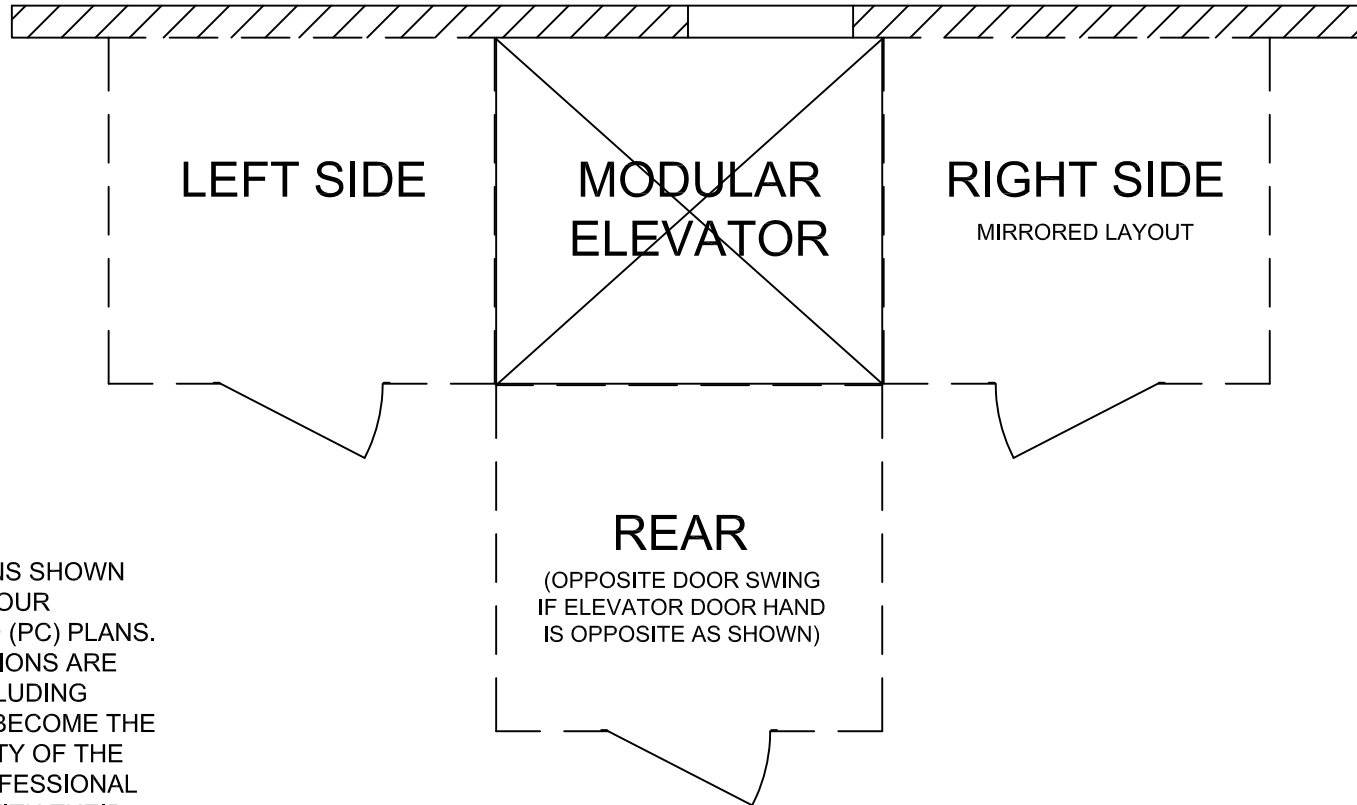


PHOENIX MODULAR ELEVATOR INC.
912 SOUTH 19TH ST. MT. VERNON, ILLINOIS 62864
PHONE: (618)-244-2314 FAX: (618)-244-1923
E-mail: Info@phoenixmodularelevator.com
Web page: www.phoenixmodularelevator.com

MODULAR MACHINE ROOM LAYOUT

SIZE A	REV	REV. DATE	FILE NO. PC02-114000
SCALE: N.T.S.		DATE: 8/26/15	DWG NO. MR1.0

For more details see the
Pre-checked (PC) drawings,
PC02-114000.



THE LOCATIONS SHOWN
ARE PART OF OUR
PRE-CHECKED (PC) PLANS.
OTHER LOCATIONS ARE
POSSIBLE INCLUDING
REMOTE BUT BECOME THE
RESPONSIBILITY OF THE
PROJECT PROFESSIONAL
TO INCLUDE WITH THEIR
PROJECT DRAWINGS.

OPTIONAL MODULAR MACHINE ROOM LOCATIONS

Issue Date: 8/26/15

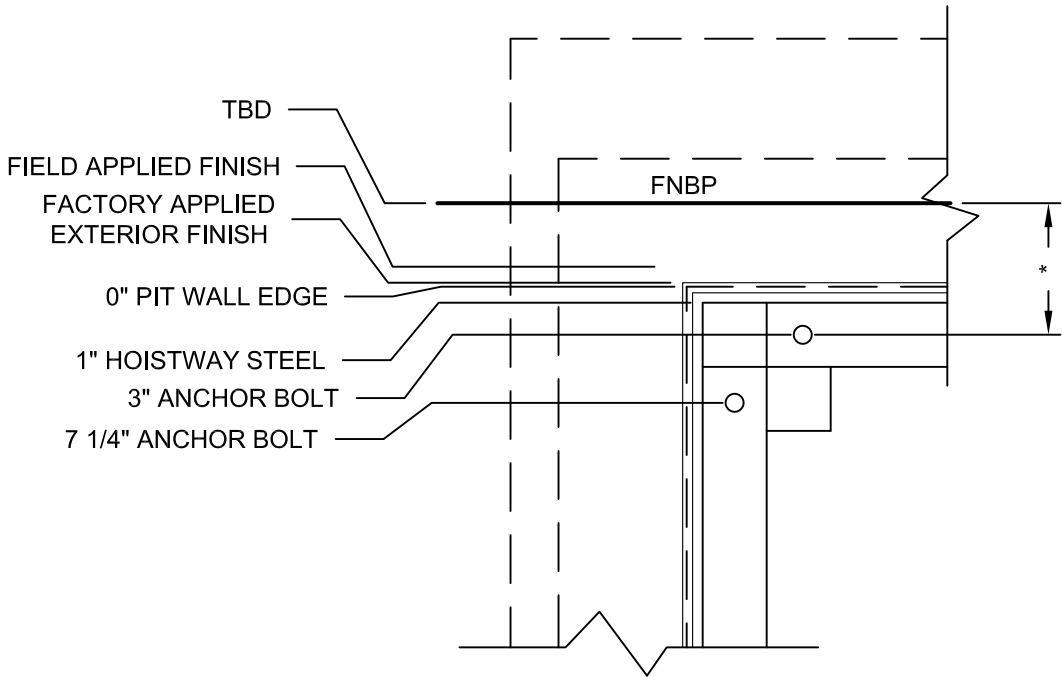


PHOENIX MODULAR ELEVATOR INC.
912 SOUTH 19TH ST. MT. VERNON, ILLINOIS 62864
PHONE: (618)-244-2314 FAX: (618)-244-1923
E-mail: Info@phoenixmodularelevator.com
Web page: www.phoenixmodularelevator.com

MODULAR MACHINE ROOM LOCATIONS

SIZE A	REV	REV. DATE	FILE NO. PC02-114000
SCALE: N.T.S.		DATE: 8/26/15 T.H.	DWG NO. MR1.1

FNBP = FURTHEST NON-REMOVABLE BUILDING PROTUBERANCE



1ST ANCHOR BOLT TO PIT WALL EDGE	3"
FACTORY APPLIED EXTERIOR FINISH AND FIREWALL	+ 5/8" or 1 1/4"
FIELD APPLIED EXTERIOR FINISH **	+
HOISTWAY STEEL FROM PIT WALL EDGE	- 1"
DISTANCE BETWEEN FINISH AND FNBP **	+
* DISTANCE FROM FNBP TO ANCHOR BOLT	=
	- 3"
DISTANCE FROM FNBP TO PIT WALL EDGE	=

** INFORMATION SUPPLIED BY OTHERS

SEE PC DWGS FOR REMAINING ANCHOR BOLT / PIT DIMENSIONS

FACTORY APPLIED EXTERIOR FINISH AND FIREWALL	+ 5/8" or 1 1/4"
FIELD APPLIED EXTERIOR FINISH **	+
HOISTWAY STEEL FROM PIT WALL EDGE	- 1"
<i>Exterior Finish Overlapping Pit Wall</i>	=

Issue Date: 8/26/15



PHOENIX MODULAR ELEVATOR INC.
 912 SOUTH 19TH ST. MT. VERNON, ILLINOIS 62864
 PHONE: (618)-244-2314 FAX: (618)-244-1923
 E-mail: info@phoenixmodularelevator.com
 Web page: www.phoenixmodularelevator.com

PIT LOCATION - REFERENCE

SIZE A	REV	REV. DATE	FILE NO. PC02-114000
SCALE: N.T.S.	DATE: 8/26/15	T.H.	DWG NO. PIT-LOC