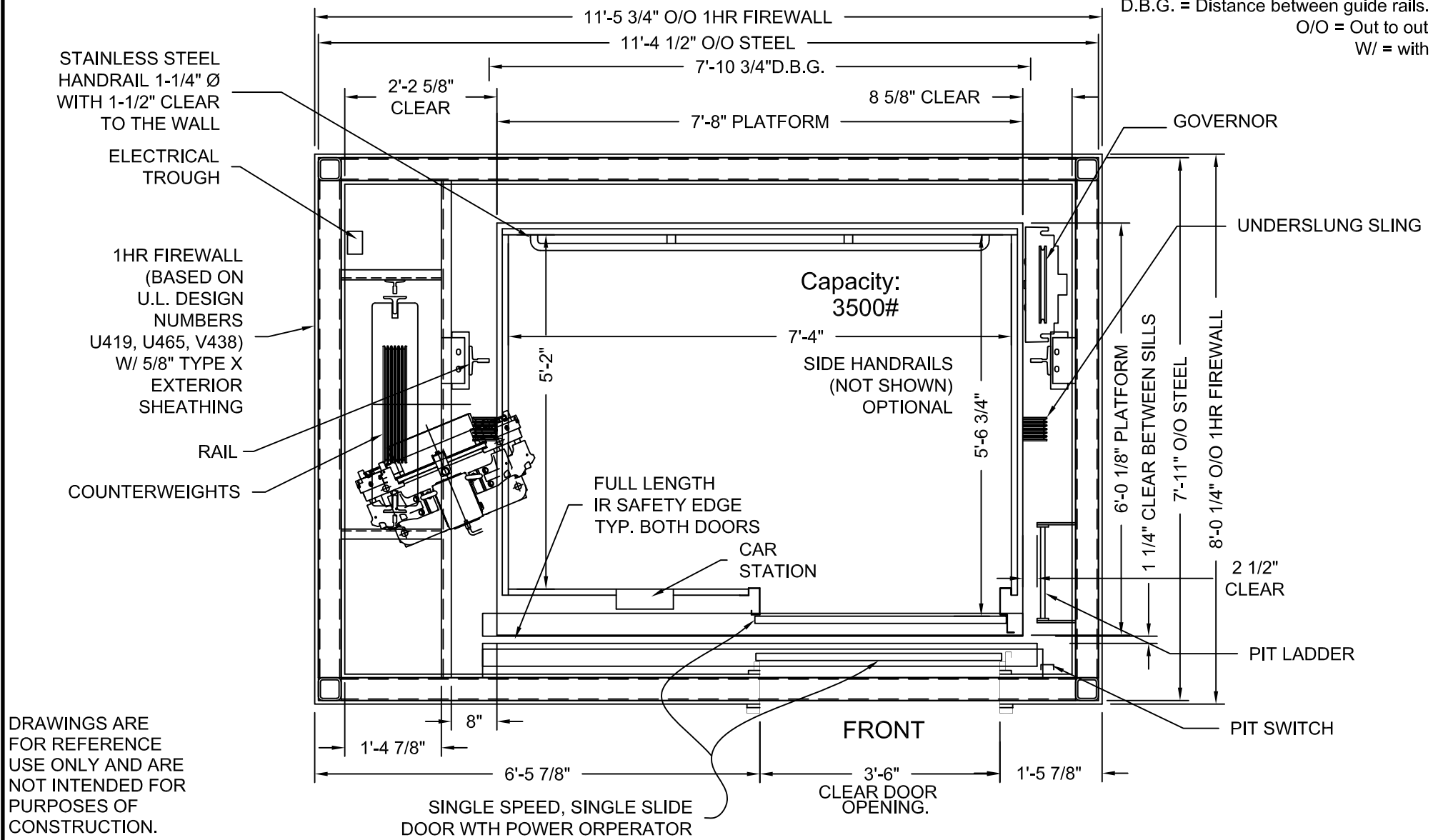


NET INSIDE CAB AREA - 37.89 SQ FT

D.B.G. = Distance between guide rails.
 O/O = Out to out
 W/ = with



STRETCHER COMPLIANT
ADA COMPLIANT

MODEL: AC5000 SLF-MRL
 LEFT HAND EXIT SHOWN - RIGHT HAND EXIT OPPOSITE
 ONE HOUR SHAFT RATING

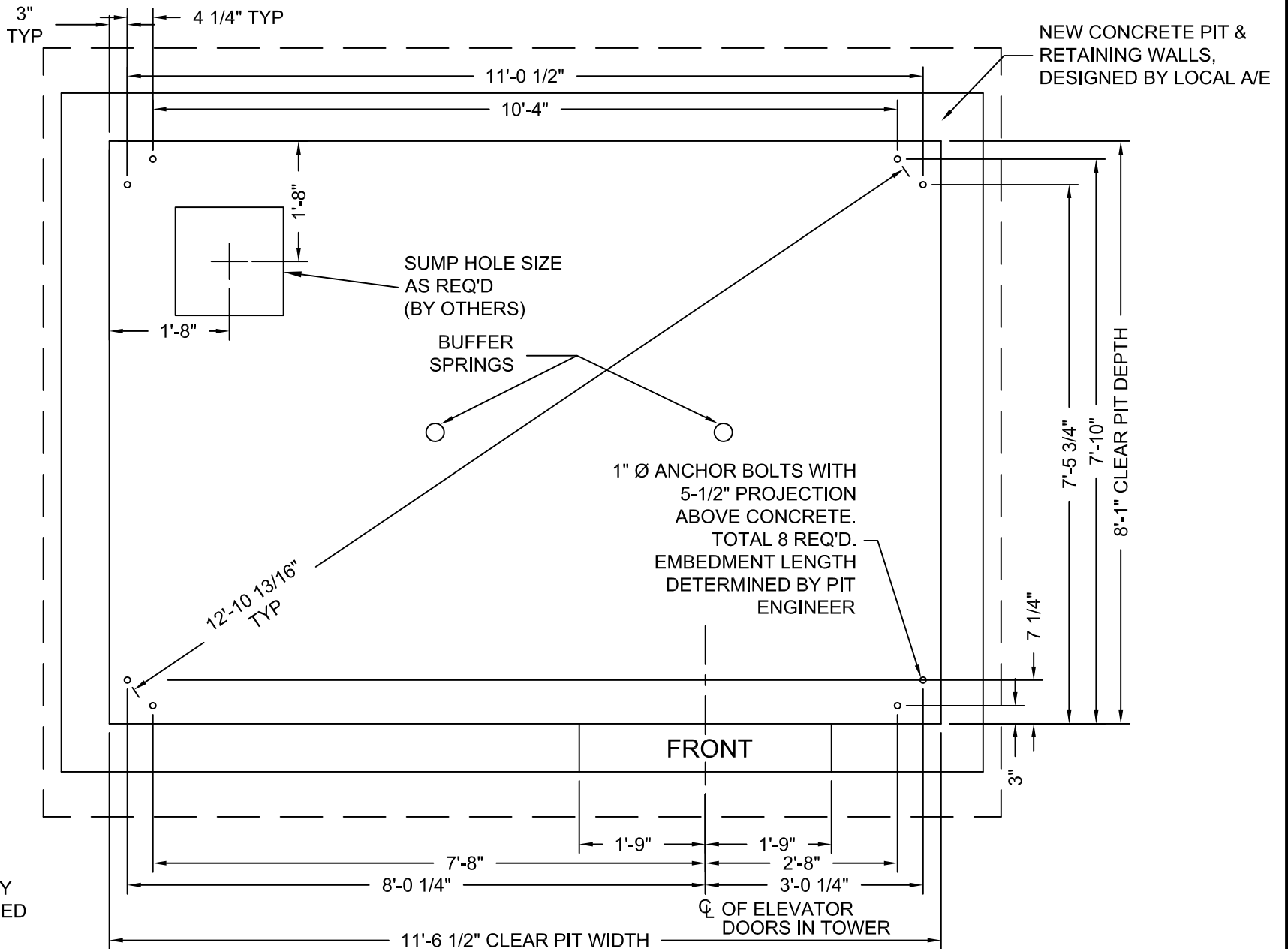
MEETS IBC 2006/2009 SECTION 3002.4
 Designed for 24"x84" ambulance
 stretcher / gurney

Issue Date:



PHOENIX MODULAR ELEVATOR INC.
 4800 PHOENIX DRIVE, MT. VERNON, ILLINOIS 62864
 PHONE: (618)-244-2314 FAX: (618)-244-1923
 E-mail: Info@phoenixmodularelevator.com
 Web page: www.phoenixmodularelevator.com

HOISTWAY & CAR PLAN - 1HR FIRE RATED HOISTWAY			
SIZE A	REV	REV. DATE	FILE NO.
SCALE: 1/2"=1'-0"	DATE:		DWG NO. SLF-1HR



DRAWINGS ARE FOR REFERENCE USE ONLY AND ARE NOT INTENDED FOR PURPOSES OF CONSTRUCTION.

MODEL: AC5000 SLF-MRL

LEFT HAND EXIT SHOWN - RIGHT HAND EXIT OPPOSITE

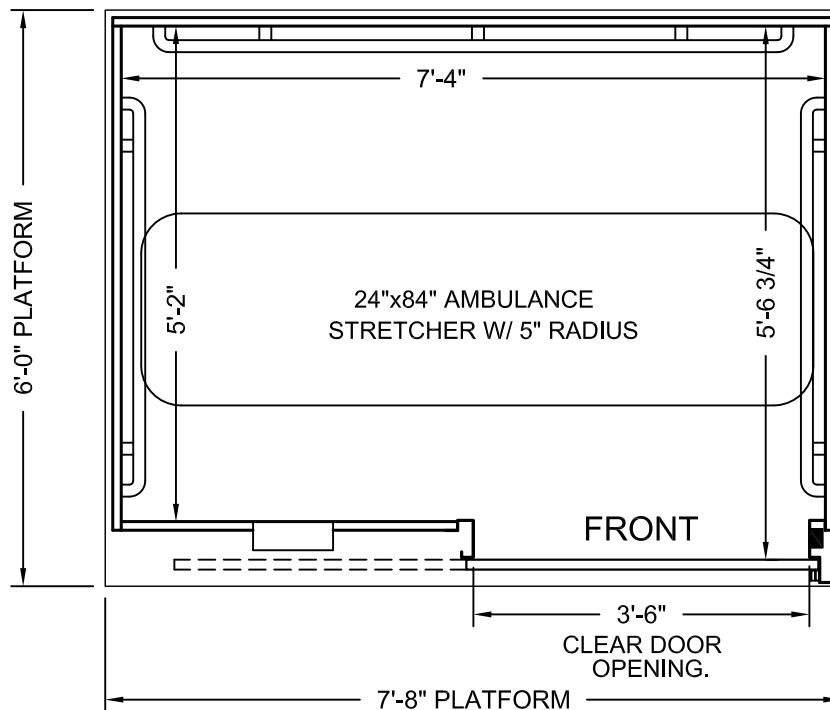
Issue Date:



PHOENIX MODULAR ELEVATOR INC.
 4800 PHOENIX DRIVE, MT. VERNON, ILLINOIS 62864
 PHONE: (618)-244-2314 FAX: (618)-244-1923
 E-mail: info@phoenixmodularelevator.com
 Web page: www.phoenixmodularelevator.com

MODEL SLF PIT PLAN - TRACTION PIT

SIZE A	REV	REV. DATE	FILE NO.
SCALE: 1/2"=1'-0"	DATE:		DWG NO. SLX-P



PLAN VIEW

Elevator car designed to accommodate ambulance stretcher as per IBC Section 3002.4
Capacity = 3500 lbs.

Car enclosure - laminate on wood
All material for car enclosures meet the requirements of ASME A17.1 RULE 2.14.2.1

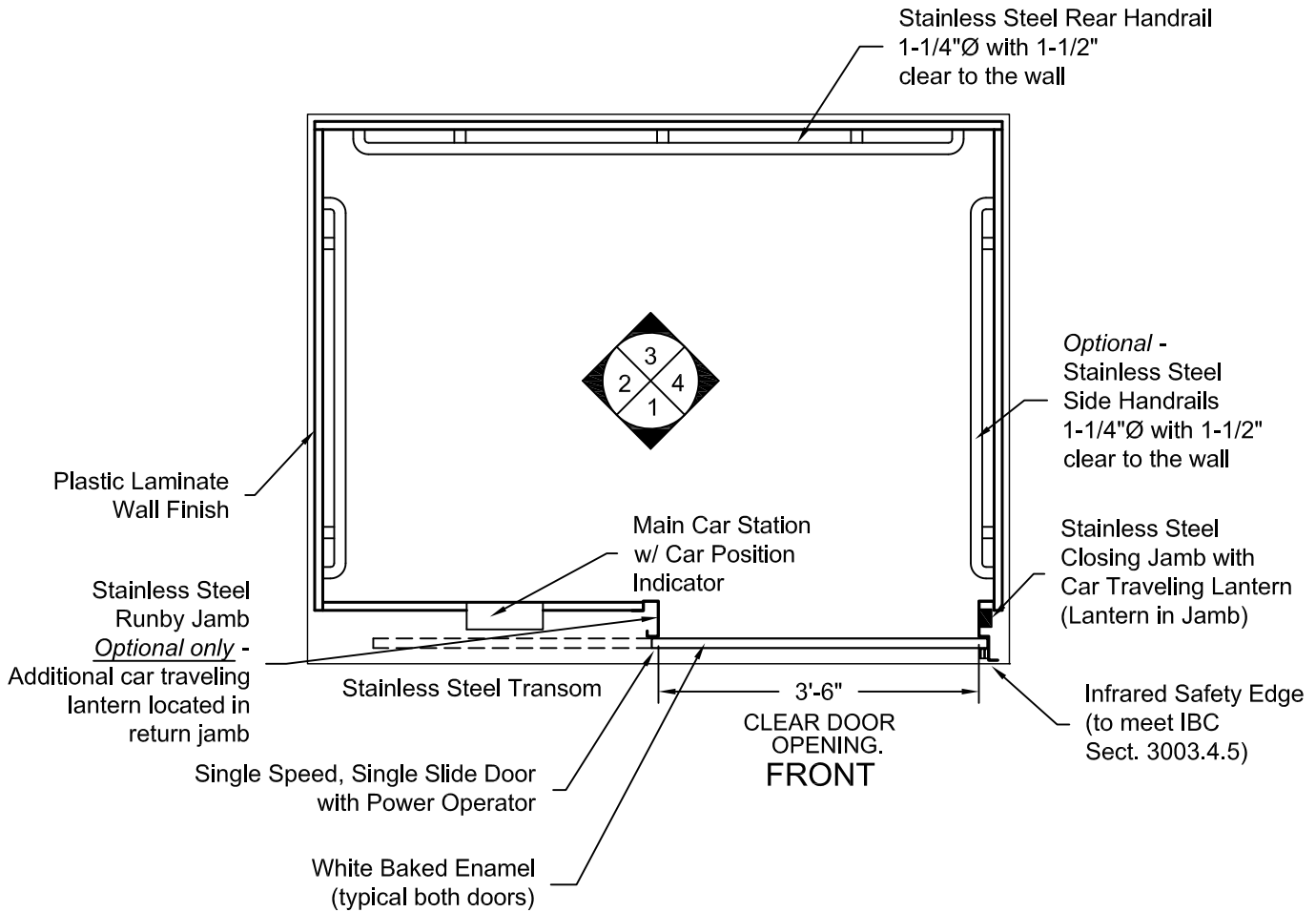
Issue Date:



PHOENIX MODULAR ELEVATOR INC.
4800 PHOENIX DRIVE, MT. VERNON, ILLINOIS 62864
PHONE: (618)-244-2314 FAX: (618)-244-1923
E-mail: info@phoenixmodularelevator.com
Web page: www.phoenixmodularelevator.com

FRONT EXIT ELEVATOR CAB

SIZE A	REV	REV. DATE	FILE NO.
SCALE: N.T.S.	DATE:	DWG NO. CAB-SLF-1	



PLAN VIEW
RIGHT FRONT DOOR
(MIRROR IMAGE IS AVAILABLE)

Issue Date:

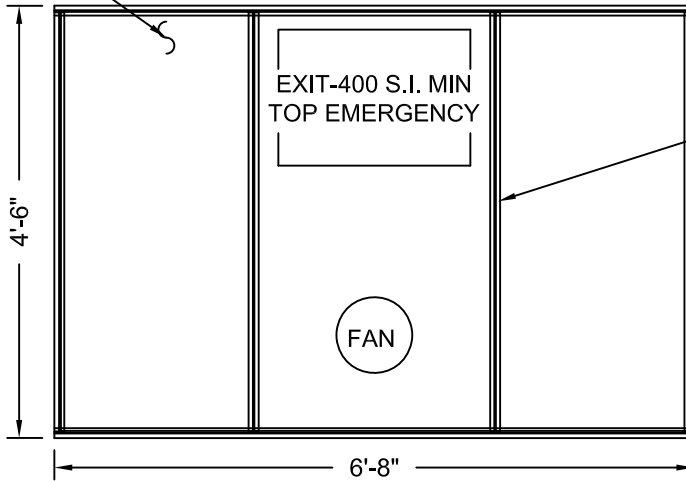


PHOENIX MODULAR ELEVATOR INC.
 4800 PHOENIX DRIVE, MT. VERNON, ILLINOIS 62864
 PHONE: (618)-244-2314 FAX: (618)-244-1923
 E-mail: info@phoenixmodularelevator.com
 Web page: www.phoenixmodularelevator.com

FRONT EXIT ELEVATOR CAB - PLAN VIEW

SIZE A	REV	REV. DATE	FILE NO.
SCALE: N.T.S.	DATE:	DWG NO. CAB-SLF-2	

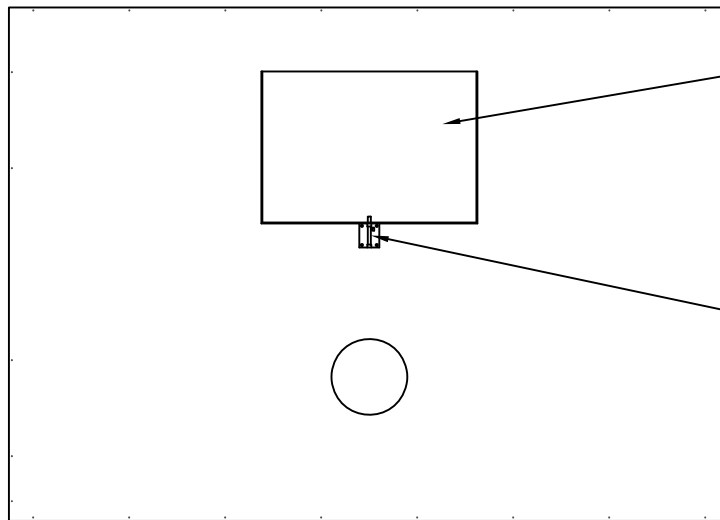
Removable
Polycarbonate
Ceiling Panels



Aluminum T-Bar

Aluminum Frame

REFLECTIVE CEILING PLAN



Steel,
Emergency
Hatch Door

Barrel Slide Bolt

**ROOF PLAN VIEW
EMERGENCY EXIT DOOR**

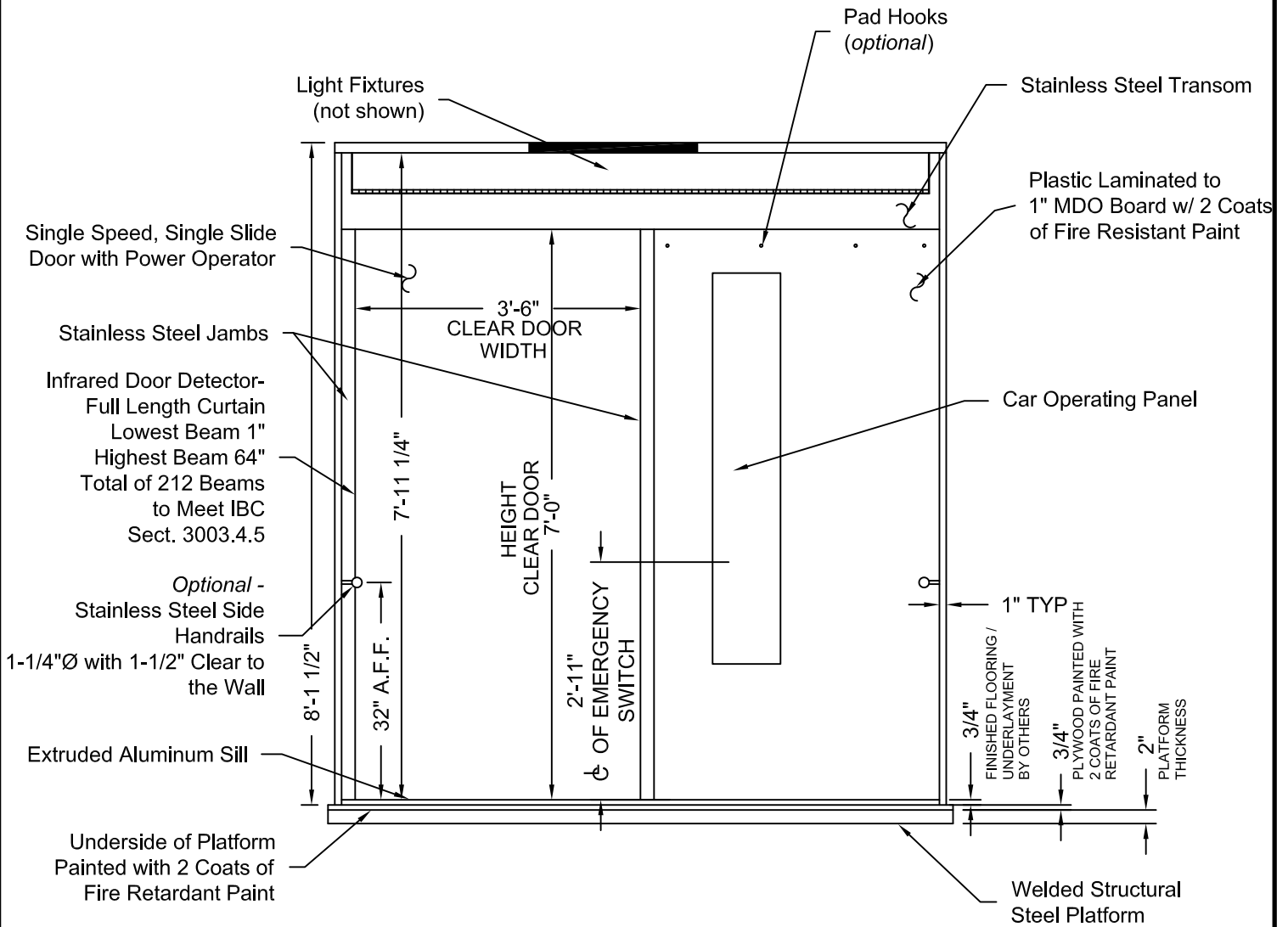
Issue Date:



PHOENIX MODULAR ELEVATOR INC.
4800 PHOENIX DRIVE, MT. VERNON, ILLINOIS 62864
PHONE: (618)-244-2314 FAX: (618)-244-1923
E-mail: info@phoenixmodulelevator.com
Web page: www.phoenixmodulelevator.com

CEILING PLAN - front exit elevator car

SIZE A	REV	REV. DATE	FILE NO.
SCALE: N.T.S.	DATE:	DWG NO. CAB-SLF-3	



ELEVATION NO. 1

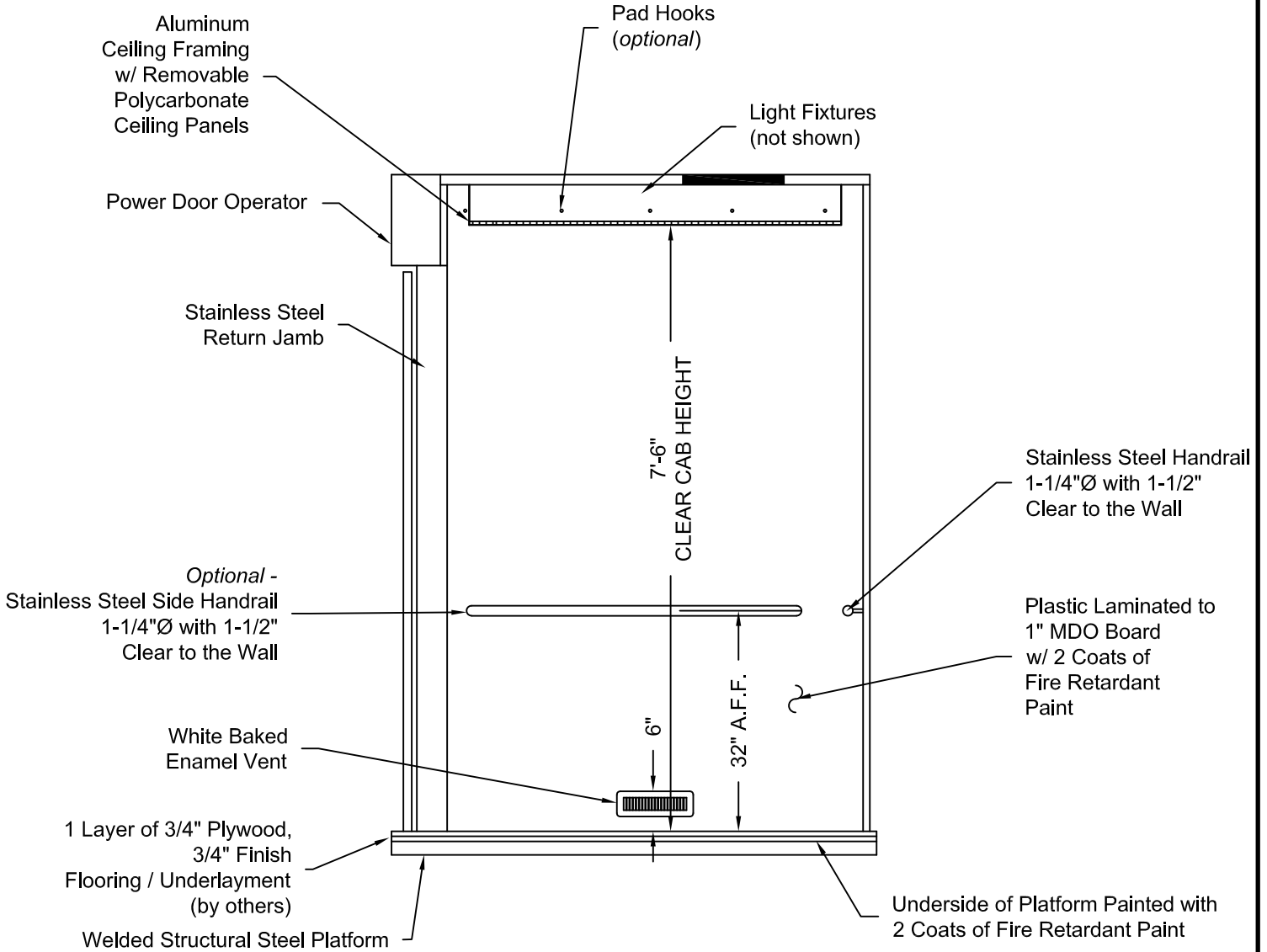
Issue Date:



PHOENIX MODULAR ELEVATOR INC.
 4800 PHOENIX DRIVE, MT. VERNON, ILLINOIS 62864
 PHONE: (618)-244-2314 FAX: (618)-244-1923
 E-mail: Info@phoenixmodularelevator.com
 Web page: www.phoenixmodularelevator.com

ELEVATION NO. 1 - front exit elevator car

SIZE A	REV	REV. DATE	FILE NO.
SCALE: N.T.S.	DATE:		DWG NO. CAB-SLF-4



ELEVATION NO. 2

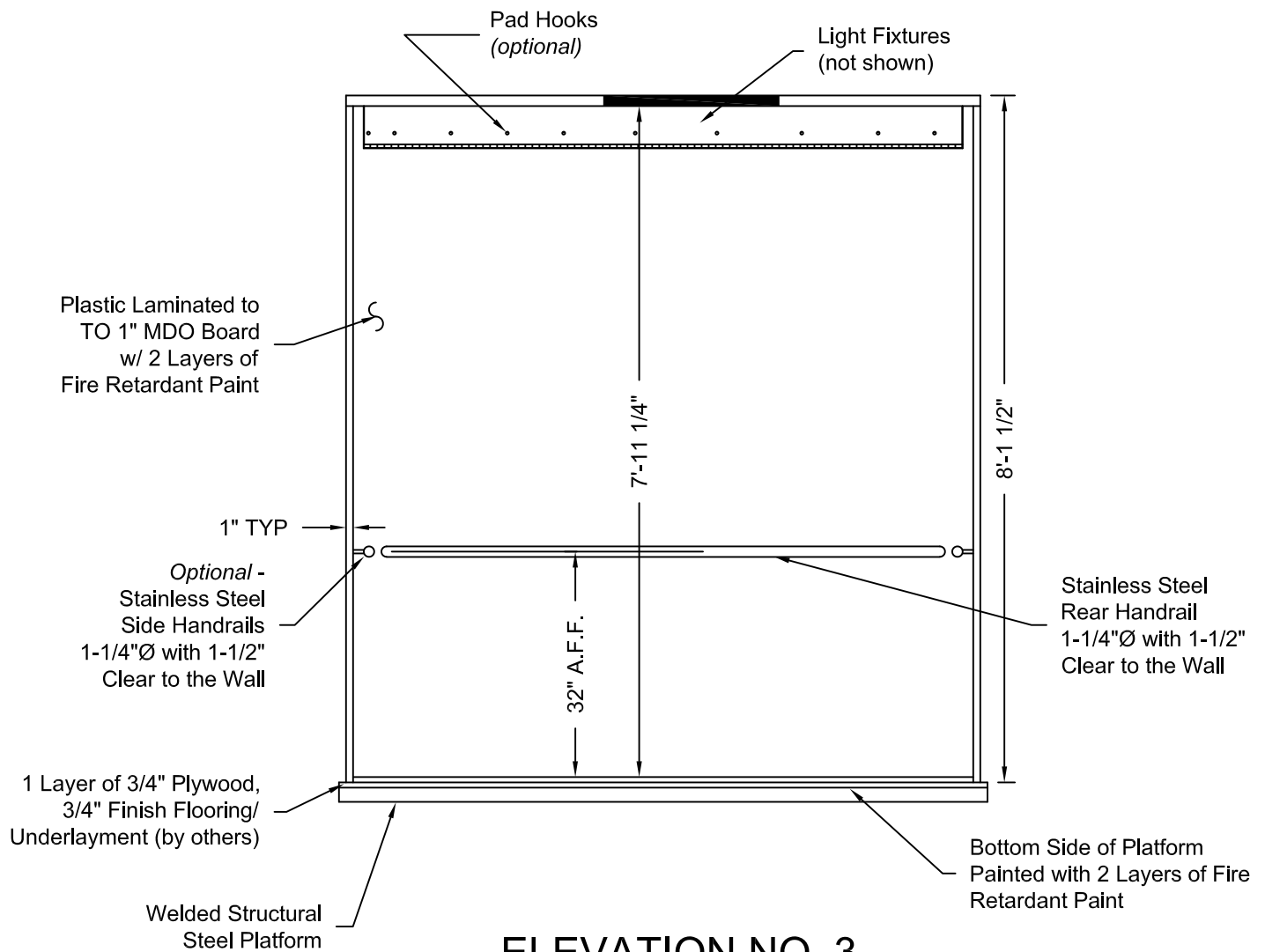
Issue Date:



PHOENIX MODULAR ELEVATOR INC.
 4800 PHOENIX DRIVE, MT. VERNON, ILLINOIS 62864
 PHONE: (618)-244-2314 FAX: (618)-244-1923
 E-mail: Info@phoenixmodularelevator.com
 Web page: www.phoenixmodularelevator.com

ELEVATION NO. 2 - front exit elevator car

SIZE A	REV	REV. DATE	FILE NO.
SCALE: N.T.S.		DATE:	DWG NO. CAB-SLF-5



ELEVATION NO. 3

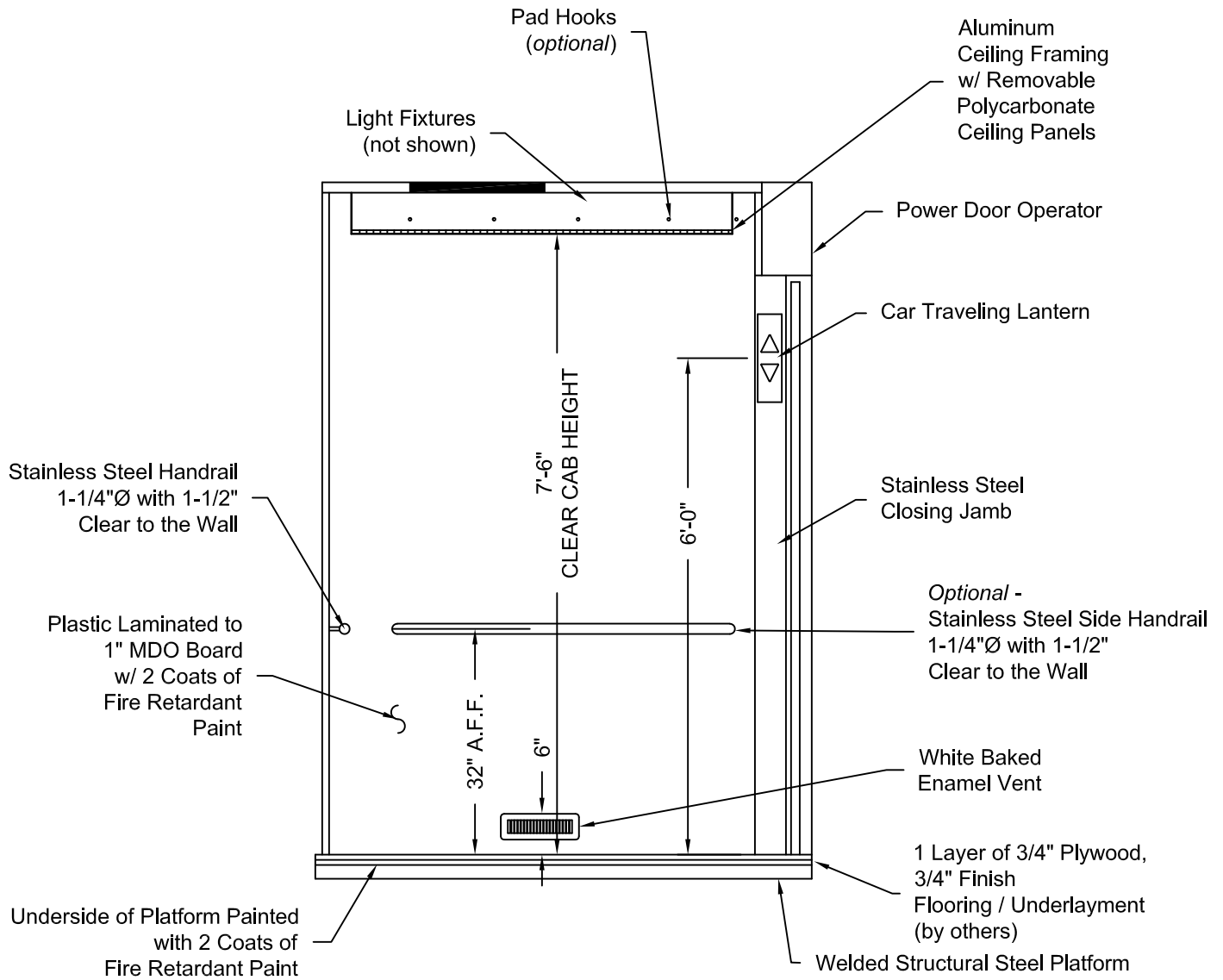
Issue Date:



PHOENIX MODULAR ELEVATOR INC.
 4800 PHOENIX DRIVE, MT. VERNON, ILLINOIS 62864
 PHONE: (618)-244-2314 FAX: (618)-244-1923
 E-mail: Info@phoenixmodularelevator.com
 Web page: www.phoenixmodularelevator.com

ELEVATION NO.3 - front exit elevator car

SIZE A	REV	REV. DATE	FILE NO.
SCALE: N.T.S.	DATE:	DWG NO. CAB-SLF-6	



ELEVATION NO. 4

Issue Date:



PHOENIX MODULAR ELEVATOR INC.
 4800 PHOENIX DRIVE, MT. VERNON, ILLINOIS 62864
 PHONE: (618)-244-2314 FAX: (618)-244-1923
 E-mail: Info@phoenixmodularelevator.com
 Web page: www.phoenixmodularelevator.com

ELEVATION NO. 4 - front exit elevator car

SIZE A	REV	REV. DATE	FILE NO.
SCALE: N.T.S.	DATE:		DWG NO. CAB-SLF-7