

Welcome to the Design Guide for projects that have  $S_s \leq 2.0$  and for an ADA compliant elevator system. Please note this elevator system does not meet ambulance stretcher requirements. This set of drawings is for reference. Please see the Pre-checked plans, PC02-114000, for specific details.

This guide contains templates for the hoistway / car layout, pit plan with machine room slabs, & a combination hoistway / machine room orientations. We have included the drawing index on this sheet so you will know which drawings to leave out when submitting your set to DSA on your project specific application.

**"PC" - SHEET INDEX** for the ADA accessible elevator system only

**ARCHITECTURAL**

EV0.0	COVER PAGE
EV1.0	PLAN VIEWS - ELEVATOR HOISTWAY
EV1.1	PLAN VIEWS - MODULAR MACHINE ROOM
EV1.2	MACHINE ROOM CONFIGURATIONS WITH HOISTWAY
EV1.3	ARCHITECTURAL ELEVATIONS
EV1.4	ARCHITECTURAL DETAILS
EV1.5	ACCESS ISSUES (ELEVATOR FIXTURES)

**STRUCTURAL**

REMOVE	EV2.0.0	FOUNDATION PLANS-Ss = 2.7 Stretcher Compliant Elevator System
REMOVE	EV2.0.1	FOUNDATION PLANS-Ss = 2.7
REMOVE	EV2.0.2	FOUNDATION PLANS-Ss = 2.0 Stretcher Compliant Elevator System
	EV2.0.3	FOUNDATION PLANS-Ss = 2.0
	EV2.1	FOUNDATION DETAILS
REMOVE	EV2.2.0	ELEVATOR HOISTWAY STRUCTURAL - Stretcher Compliant System Ss=2.7
REMOVE	EV2.2.1	ELEVATOR HOISTWAY STRUCTURAL - Ss = 2.7
REMOVE	EV2.2.2	ELEVATOR HOISTWAY STRUCTURAL - Stretcher Compliant System Ss = 2.0
	EV2.2.3	ELEVATOR HOISTWAY STRUCTURAL - Ss = 2.0
	EV2.3	ELEVATOR HOISTWAY - STRUCTURAL DETAILS
	EV2.4	ELEVATOR HOISTWAY - MISCELLANEOUS DETAILS
REMOVE	EV2.5	MODULAR MACHINE ROOM STRUCTURAL - Stretcher Compliant Elevator System
	EV2.5A	MODULAR MACHINE ROOM STRUCTURAL
REMOVE	EV2.6	MODULAR MACHINE ROOM - STRUCTURAL SECTIONS - Stretcher Compliant
	EV2.6A	MODULAR MACHINE ROOM - STRUCTURAL SECTIONS
	EV2.7	MODULAR MACHINE ROOM - STRUCTURAL DETAILS

The drawings above may contain additional options per drawing. Please select the appropriate option before submitting to DSA.

The AutoCAD version is available for your use. Please feel free to change layers and line types to fit your company policies.

General Note: Feel free to contact EXL Structural Engineers @ 909-613-0234 for any structural engineering questions. For approximate tower heights or elevator information feel free to contact Phoenix Modular Elevator Inc. @ 618-244-2314. We will need approximate total floor travel and type of jack system, holed or holeless, to calculate tower height.

THIS INFORMATION IS CONFIDENTIAL AND REMAINS THE PROPERTY OF PHOENIX MODULAR ELEVATOR INC. ITS USE, REPRODUCTION OR DISSEMINATION WITHOUT THE EXPRESS PERMISSION OF PHOENIX MODULAR ELEVATOR INC. IS STRICTLY PROHIBITED.

Issue Date: 8/26/15

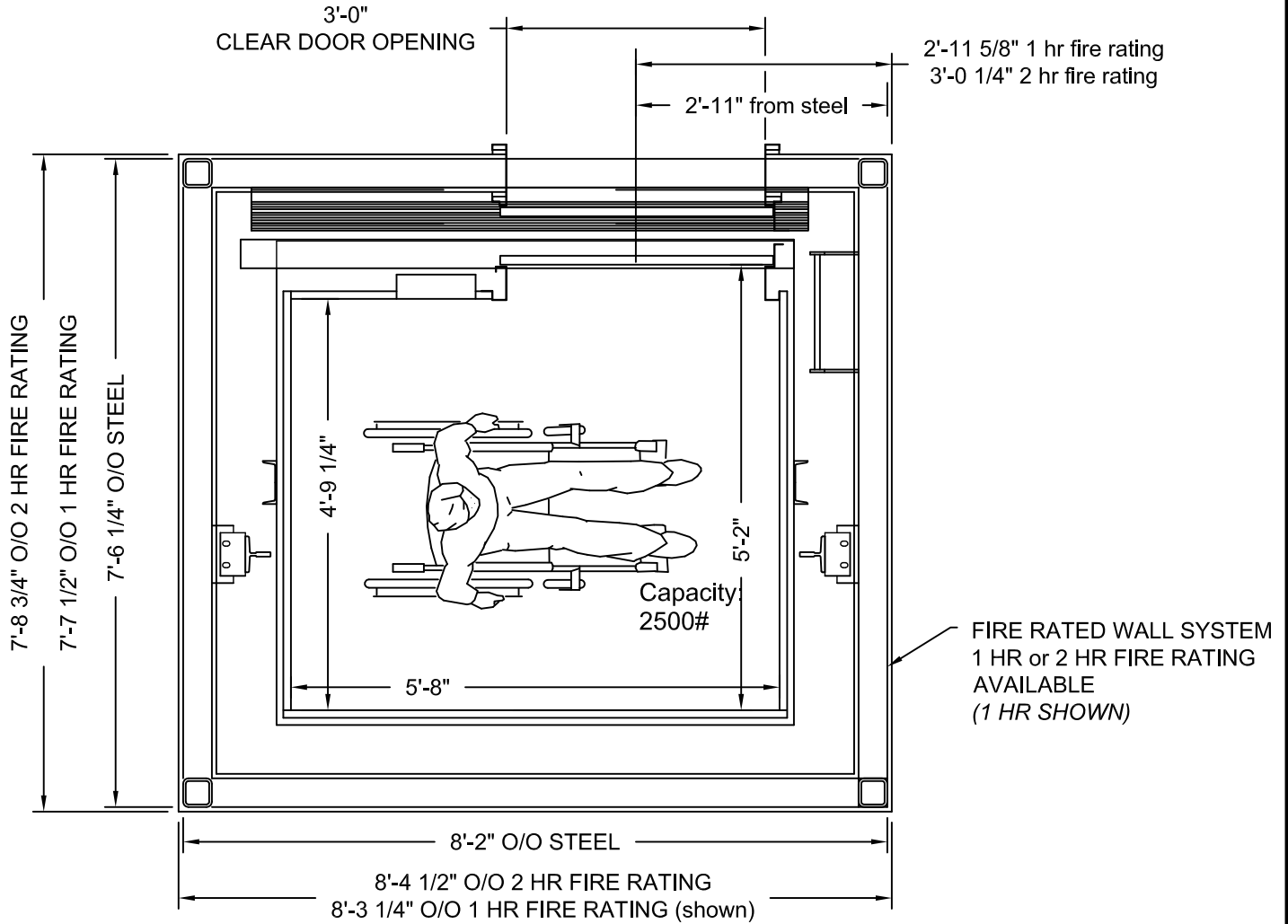


**PHOENIX MODULAR ELEVATOR INC.**  
 912 SOUTH 19TH ST. MT. VERNON, ILLINOIS 62864  
 PHONE: (618)-244-2314 FAX: (618)-244-1923  
 E-mail: info@phoenixmodularelevator.com  
 Web page: www.phoenixmodularelevator.com

**REFERENCE SHEET**

SIZE A	REV	REV. DATE	FILE NO. PC02-114000
SCALE: N.T.S.	DATE: 8/26/15 T.H.	DWG NO.	A0

For more details see the  
Pre-checked (PC) drawings,  
PC02-114000.



## ADA ACCESSIBLE ELEVATOR

SHOWN WITH ONE HOUR FIRE RATING

MIRROR IMAGE IS AVAILABLE

FRONT EXIT ELEVATOR SHOWN, FRONT/REAR EXIT USES SAME HOISTWAY

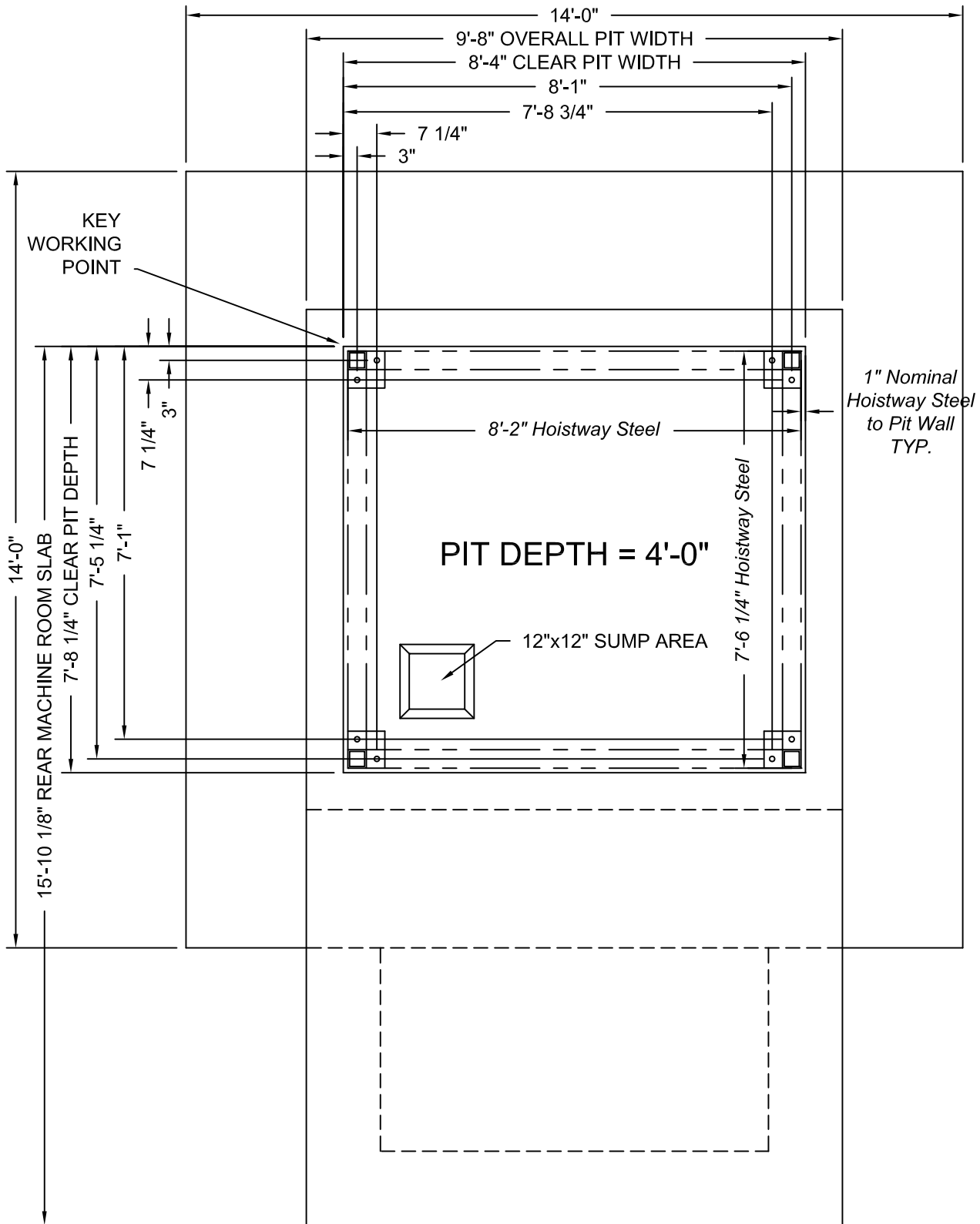
Issue Date: 8/26/15



**PHOENIX MODULAR ELEVATOR INC.**  
912 SOUTH 19TH ST. MT. VERNON, ILLINOIS 62864  
PHONE: (618)-244-2314 FAX: (618)-244-1923  
E-mail: info@phoenixmodularelevator.com  
Web page: www.phoenixmodularelevator.com

### ADA ACCESSIBLE ELEVATOR TOWER

SIZE A	REV	REV. DATE	FILE NO. PC02-114000
SCALE: N.T.S.	DATE: 8/26/15 T.H.	DWG NO. A1	



For more details see the Pre-checked (PC) drawings, PC02-114000

Issue Date: 9/27/12

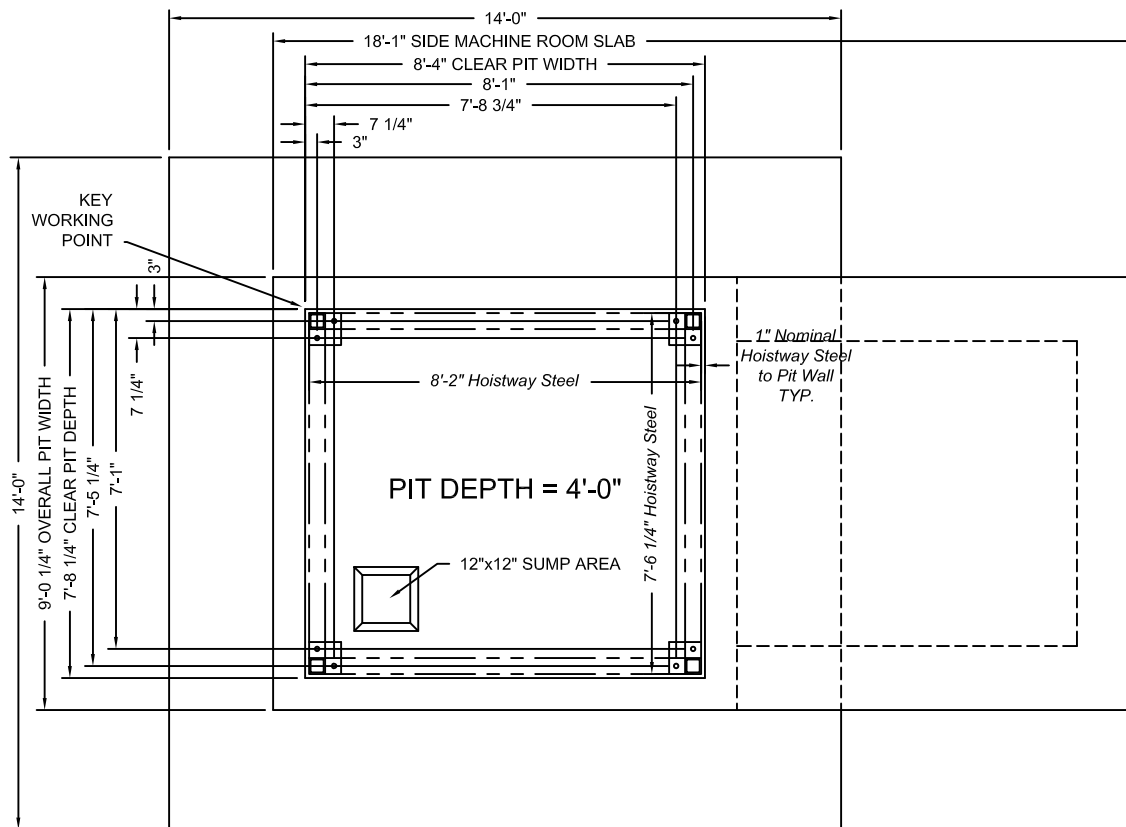


**PHOENIX MODULAR ELEVATOR INC.**  
 912 SOUTH 19TH ST. MT. VERNON, ILLINOIS 62864  
 PHONE: (618)-244-2314 FAX: (618)-244-1923  
 E-mail: info@phoenixmodularelevator.com  
 Web page: www.phoenixmodularelevator.com

**PIT PLAN W/ MMR REAR SLAB**

SIZE A	REV	REV. DATE	FILE NO. PC02-114000
SCALE: N.T.S.	DATE: 6/22/10	DWG NO. A1.1	

For more details see the  
Pre-checked (PC) drawings,  
PC02-114000.



PLAN VIEW

Issue Date: 8/26/15

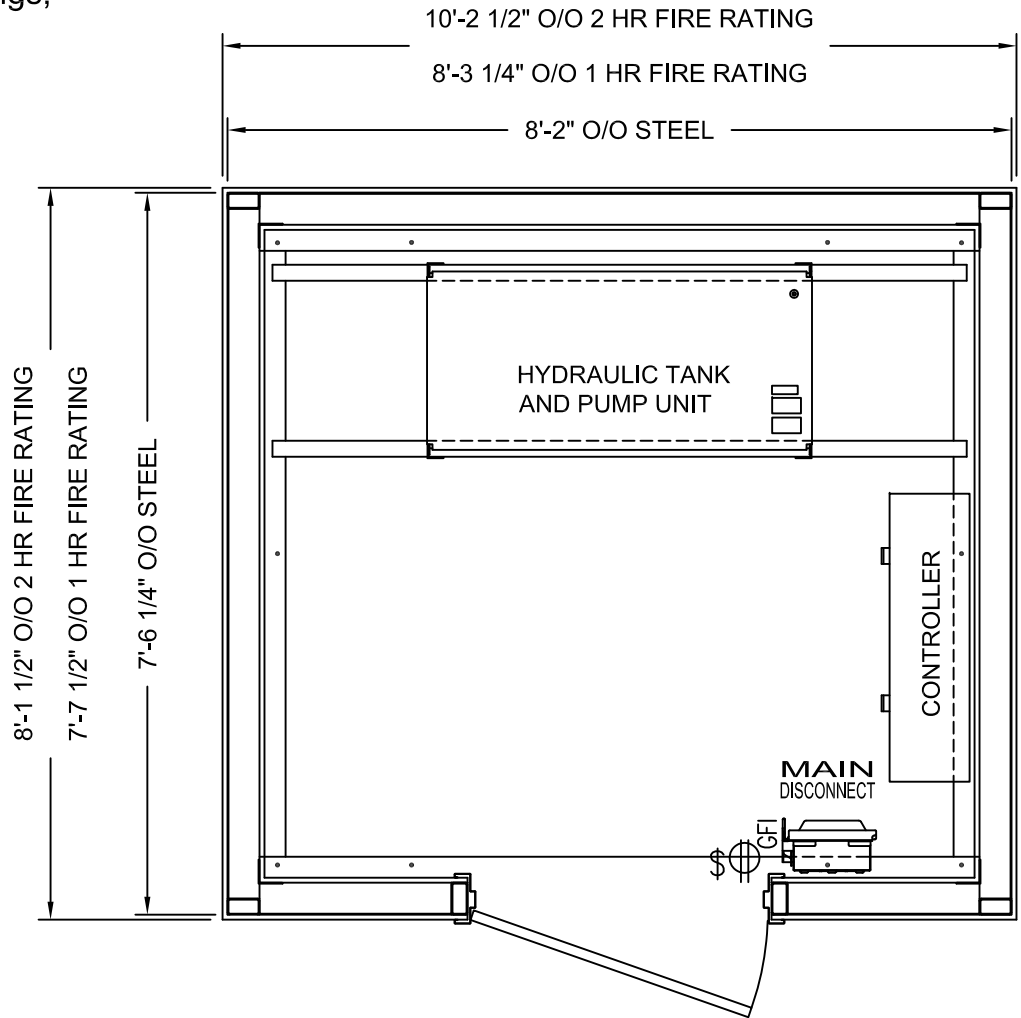


**PHOENIX MODULAR ELEVATOR INC.**  
912 SOUTH 19TH ST. MT. VERNON, ILLINOIS 62864  
PHONE: (618)-244-2314 FAX: (618)-244-1923  
E-mail: [Info@phoenixmodularelevator.com](mailto:Info@phoenixmodularelevator.com)  
Web page: [www.phoenixmodularelevator.com](http://www.phoenixmodularelevator.com)

**PIT PLAN W/ SIDE MMR SLAB**

SIZE A	REV	REV. DATE	FILE NO. PC02-114000
SCALE: N.T.S.		DATE: 8/26/15 T.H.	DWG NO. <b>A1.2</b>

For more details see the  
Pre-checked (PC) drawings,  
PC02-114000.



**MODULAR MACHINE ROOM FOR ADA ACCESSIBLE ELEVATOR SYSTEM**

SHOWN WITH ONE HOUR FIRE RATING

Issue Date: 8/26/15

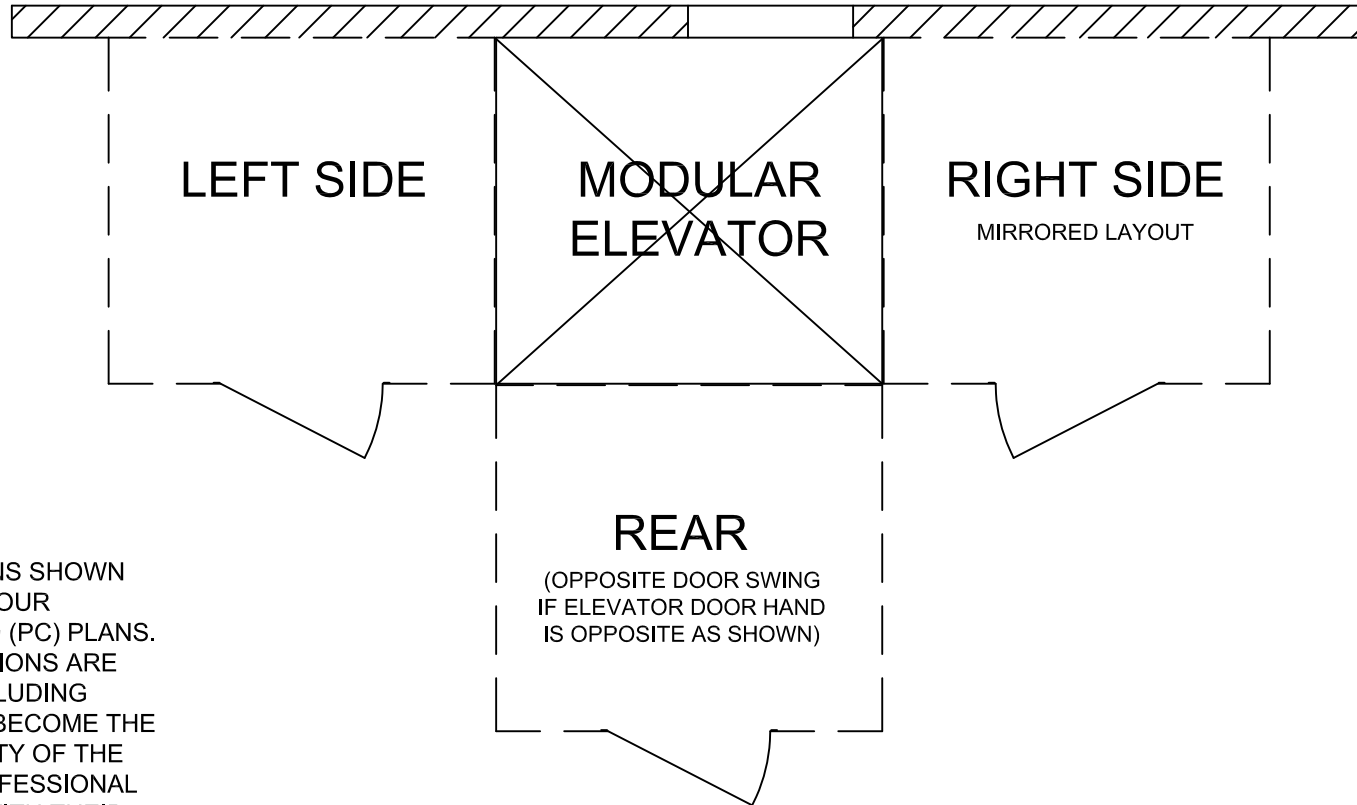


**PHOENIX MODULAR ELEVATOR INC.**  
912 SOUTH 19TH ST. MT. VERNON, ILLINOIS 62864  
PHONE: (618)-244-2314 FAX: (618)-244-1923  
E-mail: [info@phoenixmodularelevator.com](mailto:info@phoenixmodularelevator.com)  
Web page: [www.phoenixmodularelevator.com](http://www.phoenixmodularelevator.com)

**MODULAR MACHINE ROOM LAYOUT**

SIZE A	REV	REV. DATE	FILE NO. PC02-114000
SCALE: N.T.S.		DATE: 8/26/15	DWG NO. MR1.0

For more details see the  
Pre-checked (PC) drawings,  
PC02-114000.



THE LOCATIONS SHOWN  
ARE PART OF OUR  
PRE-CHECKED (PC) PLANS.  
OTHER LOCATIONS ARE  
POSSIBLE INCLUDING  
REMOTE BUT BECOME THE  
RESPONSIBILITY OF THE  
PROJECT PROFESSIONAL  
TO INCLUDE WITH THEIR  
PROJECT DRAWINGS.

## OPTIONAL MODULAR MACHINE ROOM LOCATIONS

Issue Date: 8/26/15

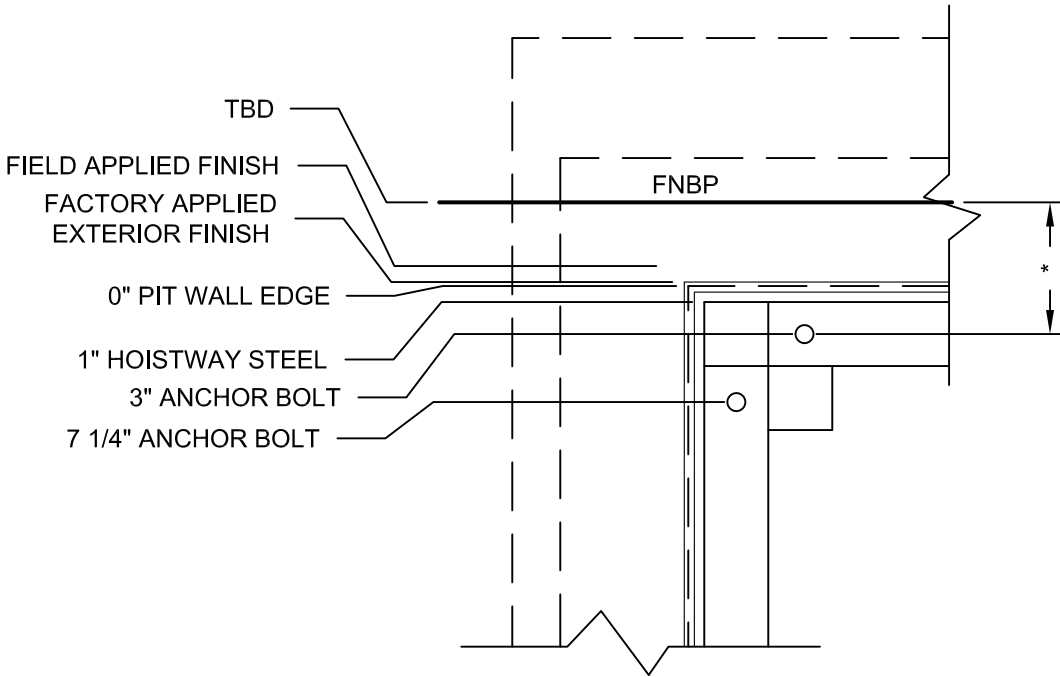


**PHOENIX MODULAR ELEVATOR INC.**  
912 SOUTH 19TH ST. MT. VERNON, ILLINOIS 62864  
PHONE: (618)-244-2314 FAX: (618)-244-1923  
E-mail: [info@phoenixmodularelevator.com](mailto:info@phoenixmodularelevator.com)  
Web page: [www.phoenixmodularelevator.com](http://www.phoenixmodularelevator.com)

### MODULAR MACHINE ROOM LOCATIONS

SIZE A	REV	REV. DATE	FILE NO. PC02-114000
SCALE: N.T.S.		DATE: 8/26/15	DWG NO. MR1.1

FNBP = FURTHEST NON-REMOVABLE BUILDING PROTUBERANCE



1ST ANCHOR BOLT TO PIT WALL EDGE	3"
FACTORY APPLIED EXTERIOR FINISH AND FIREWALL	+ 5/8" or 1 1/4"
FIELD APPLIED EXTERIOR FINISH **	+
HOISTWAY STEEL FROM PIT WALL EDGE	- 1"
DISTANCE BETWEEN FINISH AND FNBP **	+
* DISTANCE FROM FNBP TO ANCHOR BOLT	=
	- 3"
DISTANCE FROM FNBP TO PIT WALL EDGE	=

\*\* INFORMATION SUPPLIED BY OTHERS

SEE PC DWGS FOR REMAINING ANCHOR BOLT / PIT DIMENSIONS

FACTORY APPLIED EXTERIOR FINISH AND FIREWALL	+ 5/8" or 1 1/4"
FIELD APPLIED EXTERIOR FINISH **	+
HOISTWAY STEEL FROM PIT WALL EDGE	- 1"
<i>Exterior Finish Overlapping Pit Wall</i>	=

Issue Date: 8/26/15



**PHOENIX MODULAR ELEVATOR INC.**  
 912 SOUTH 19TH ST. MT. VERNON, ILLINOIS 62864  
 PHONE: (618)-244-2314 FAX: (618)-244-1923  
 E-mail: info@phoenixmodularelevator.com  
 Web page: www.phoenixmodularelevator.com

**PIT LOCATION - REFERENCE**

SIZE A	REV	REV. DATE	FILE NO. PC02-114000
SCALE: N.T.S.	DATE: 8/26/15 T.H.	DWG NO. PIT-LOC	